



Manufacturing Product Catalog

1000 Foundations, Swaybraces

1100 Rack Foundations

- [Rack Foundation \(Single\)](#)
- [Rack Foundation \(Double\)](#)
- [Rack Foundation \(triple\)](#)
- [Rack Foundation \(Single\)](#)
- [Rack Foundation \(Double\)](#)
- [Rack Foundation \(triple\)](#)

1200 Antenna Foundations

- [Foundation, Antenna](#)

1300 Sway Braces

- [Swaybrace, 24" Angular](#)

1400 Equipment Foundations

1500 IT21 Enclosure Foundations

- [Foundation, Deck Mount](#)
- [Foundation, Bulkhead Mount](#)

1600, 1700, 1800 (*reserved*)

1900 Miscellaneous

2000 Tables, Shelves

2100 PC Workstations

- [Computer Workstation, Single](#)

[Computer Workstation, Dual](#)
[Computer Workstation, Dual](#)
[Computer Workstation, Dual](#)
[Computer Workstation, triple
table, triple Viewport](#)
[Computer Workstation, triple
Workstation, Sloped, Two Position
Workstation, Sloped, Five Position
table, triple Workstation](#)
[Double Workstation table](#)
[table, Chart Storage](#)

2200 Modular tables

[Modular Workstation, 24" for Smart track System](#)
[Modular Workstation, 36" for Smart track System](#)
[Modular Workstation, 48" for Smart track System](#)

2300 (*reserved*)

2400 tables w/ Drawers and Shelves

2500 Shelves, Fixed and Folding

[Shelf, Fixed Mount
table, Folding, 24" x 24"](#)
[Shelf, table Mount](#)
[Shelf, table Mount](#)

2600 Book Shelves, Writing Shelves

[Bookshelf, Five Shelf](#)

2700 tables, Bulkhead Mounting

[Workstation, NOW, BHD \(set\)](#)

2800

2900 Miscellaneous

3000 Lockers, Cabinets

3100 Sub Lockers

[Locker, Rack, Double Door](#)
[Locker, Rack, Single Door](#)

3200 Cabinets, Secure

[Cabinet, Double Door, Secure](#)

3300, 3400, 3500

3600, 3700, 3800 (*reserved*)

3900 Miscellaneous

4000 Electronic Enclosures

4100 Power Distribution

[Enclosure, Power Distribution](#)

[Enclosure, Power Distribution](#)

[Enclosure, Power Distribution](#)

4200 TAMPS

[Enclosure, TAMPS](#)

4300 DSUR

[Data Storage Unit, Receptacle](#)

4400 Patch Panels

[Enclosure, Patch](#)

[Enclosure, Patch](#)

4500 CASS

[Frame, Interface Device](#)

4600

[Enclosure, ISNS Switch](#)

4700, 4800 (*reserved*)

4900 Miscellaneous

5000 FO and LAN Equipment

5100 Fiber Optic transceiver Boxes

[Enclosure, Fiber Optic transceiver, Single Exit](#)
[Enclosure, Fiber Optic transceiver, Dual Exit](#)

5200 Fiber Optic Brackets and trays

[Bracket, Pigtail](#)
[Bracket, 20 Position, Fiber Optic tray, Fiber](#)

5300 Ethernet Brackets

[Transceiver Foundation](#)

5400 Hub Enclosures

[Hub Enclosures, MMAC, With Foundation](#)

5500 Ported Panels

[Panel, 96 Port](#)
[Panel, 128 Port](#)

5600 IT21 Switch Enclosures

[Enclosure, Switch](#)
[Enclosure, Switch](#)
[Enclosure, Switch](#)
[Rail, Equipment Mounting, Pair](#)

5700, 5800 (*reserved*)

[Cat 5 Secure Box, Standard](#)
[Cat 5 Secure Box, Modified](#)
[Cat 5 Secure Box, Modified](#)
[Marine Data Drop Box](#)
[Marine Data Drop Box](#)

5900 Miscellaneous

6000 Rack Support

6100 Fan Panels

[Rack, Ventilation Fan, Rack Mount](#)
[Panel, Fan, Rack Mount, Intake](#)

6200 Blank Panels

[Panel, EIA, Rack Mounting](#)

6300 I/O Panels

[Panel, Multi-Purpose I/O](#)

6400 Sliding Shelves tray, Rack Mount, Slide

6500 Base Plates

[Baseplate, Rack Adapter](#)

6600 Slide Adapter Rails

[Rail, Slide](#)

[Rail, Slide, Heavy Duty](#)

6700, 6800 (*reserved*)

6900 Miscellaneous

7000 Shipboard Installation Components

7100 Slip Joints

[Slip Joint Foundation, Steel](#)

[Slip Joint Foundation, Aluminium](#)

7200 Flex and Plated Bond Straps

[Type II Ground/Bond Strap](#)

[Type III Ground/Bond Strap](#)

[Type IV Ground/Bond Flex Strap](#)

7300 Ground Bars

[Terminal Board Ground Bus Pad](#)

7400 Chaffing Rings

[Rings, Chaffing](#)

7500 (*reserved*)

7600 Cable Hangers

[Hanger, Cable, Tubing](#)
[Hanger, Wireway, Steel](#)
[Angle, Cable Hanger](#)

7700, 7800 (*reserved*)

7900 Miscellaneous

8000 Computer Accessories

8100 Universal Brackets

[Computer Mount, Universal](#)
[Computer Mount, Universal](#)

8200 Keyboard trays

[tray, Keyboard/trackball](#)
[tray, Keyboard Mounting](#)
[tray, Tilting Keyboard](#)
[tray, Palmrest, Keyboard](#)
[tray, Palmrest, Keyboard/trackball](#)

8300 Printer Hold Downs

[Ruggedized Printer Mount, LJ4](#)
[Ruggedized Printer Mount, LJ5](#)
[Hold Down Assembly, LJ 5M](#)
[Ruggedized Printer Mount, HP LaserJet 2430tn for A & J Rack Assembly](#)
[Ruggedized Printer Mount, HP LaserJet 2430tn for TAC-4 Rack Assembly](#)
[Ruggedized Printer Mount, HP LaserJet 2430tn](#)

8400 Monitor Hold Downs

[Enclosure, Monitor, Ruggedized Rack Mounted](#)
[Bracket, Monitor](#)

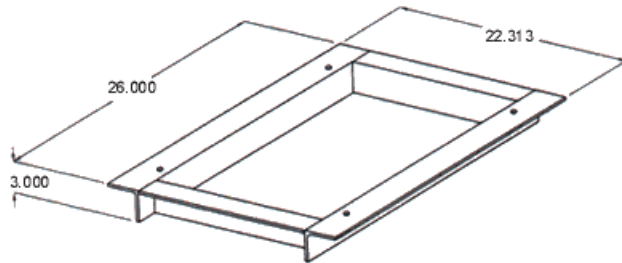
8500 CPU and UPS Hold Downs

[Bracket, CPU/Monitor](#)

8600, 8700, 8800 (*reserved*)

8900 Miscellaneous

Manufacturing Product Catalog



RACK FOUNDATION (SINGLE) MPN 820-1100-1-1S

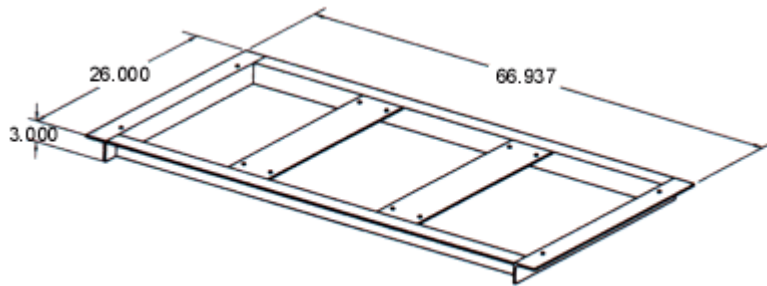
- Ideal for Standard 19" Equipment Rack
- Material: 1/4" A-36 Steel
- Pre-drilled for your convenience
- Other sizes available, just call!
- Welded IAW MIL-STD-1688/89
- Primer Finish, Painted upon request
- Shipping Weight 40 lbs

© VT Milcom
Manufacturing Division
"Precision Craftsmanship Since 1981"

901 Professional Place
Chesapeake VA 23320
Phone: (757) 547-0202
Fax: (757) 548-2117

[Back to top](#)

Manufacturing Product Catalog



RACK FOUNDATION (TRIPLE) MPN 820-1100-3-3S

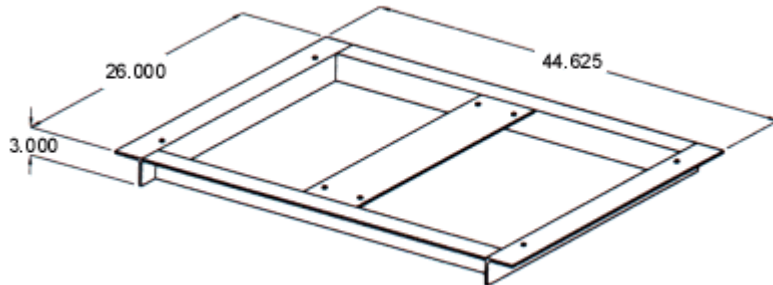
- Ideal for standard 19" Equipment Rack
- Material: 1/4" A-36 steel
- Pre-drilled for your convenience
- Other sizes available, just call!
- Welded IAW MIL-STD-1688/89
- Primer finish, painted upon request
- Shipping weight 100 lbs

© VT Milcom
Manufacturing Division
"Precision Craftsmanship Since 1981"

901 Professional Place
Chesapeake VA 23320
Phone: (757) 547-0202
Fax: (757) 548-2117

[Back to top](#)

Manufacturing Product Catalog



RACK FOUNDATION (DOUBLE) MPN 820-1100-2-2SRACK

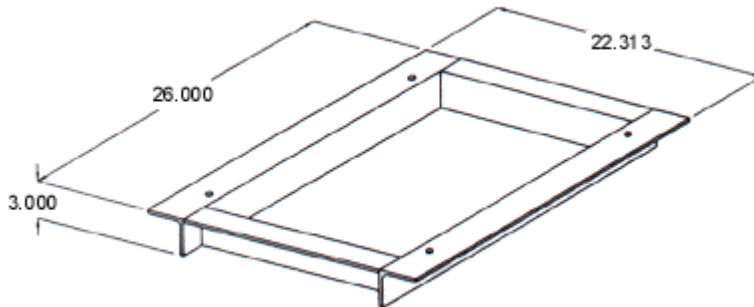
- Ideal for standard 19" Equipment Rack
- Material: 1/4" A-36 steel
- Pre-drilled for your convenience
- Other sizes available, just call!
- Welded IAW MIL-STD-1688/89
- Primer finish, painted upon request
- Shipping weight 70 lbs

© VT Milcom
Manufacturing Division
"Precision Craftsmanship Since 1981"

901 Professional Place
Chesapeake VA 23320
Phone: (757) 547-0202
Fax: (757) 548-2117

[Back to top](#)

Manufacturing Product Catalog



RACK FOUNDATION (SINGLE) MPN 820-1105-1-1A

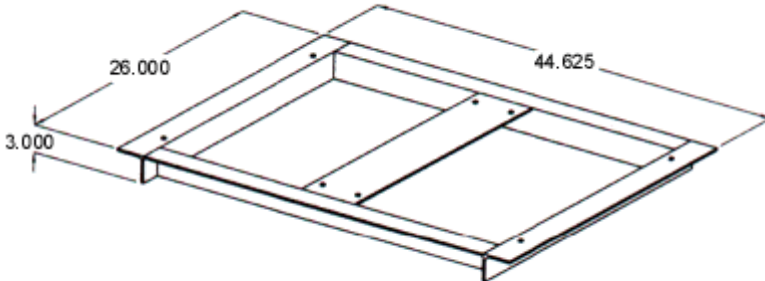
- Ideal for standard 19" Equipment Rack
- Material: 1/4" QQ-A-200 ASTM B221 aluminum
- Pre-drilled for your convenience
- Other sizes available, just call!
- Welded IAW MIL-STD-278
- Primer finish, painted upon request
- Shipping weight 22 lbs

© VT Milcom
Manufacturing Division
"Precision Craftsmanship Since 1981"

901 Professional Place
Chesapeake VA 23320
Phone: (757) 547-0202
Fax: (757) 548-2117

[Back to top](#)

Manufacturing Product Catalog



RACK FOUNDATION (DOUBLE) MPN 820-1105-2-2A

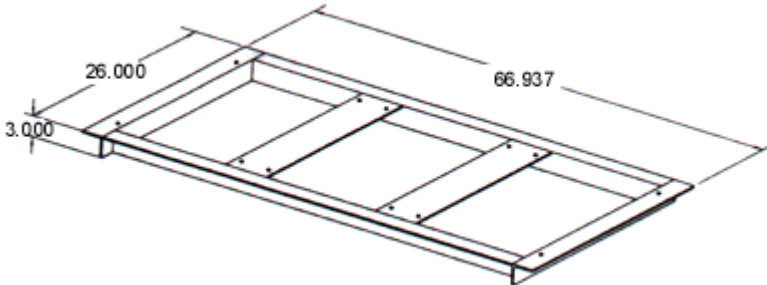
- Ideal for standard 19" Equipment Rack
- Material: 1/4" QQ-A-200 ASTM B221 aluminum
- Pre-drilled for your convenience
- Other sizes available, just call!
- Welded IAW MIL-STD-278
- Primer finish, painted upon request
- Shipping weight 35 lbs

© VT Milcom
Manufacturing Division
"Precision Craftsmanship Since 1981"

901 Professional Place
Chesapeake VA 23320
Phone: (757) 547-0202
Fax: (757) 548-2117

[Back to top](#)

Manufacturing Product Catalog



RACK FOUNDATION (TRIPLE) MPN 820-1105-3-3A

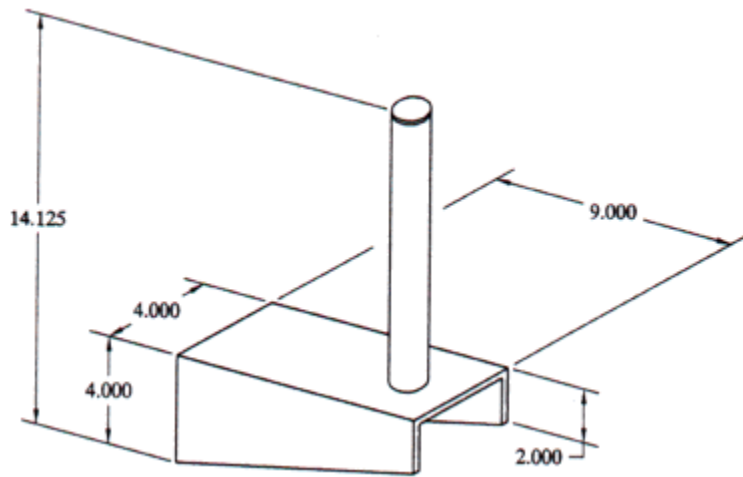
- Ideal for standard 19" Equipment Rack
- Material: 1/4" QQ-A-200 ASTM B221 aluminum
- Pre-drilled for your convenience
- Other sizes available, just call!
- Welded IAW MIL-STD-278
- Primer finish, painted upon request
- Shipping weight 47 lbs

© VT Milcom
Manufacturing Division
"Precision Craftsmanship Since 1981"

901 Professional Place
Chesapeake VA 23320
Phone: (757) 547-0202
Fax: (757) 548-2117

[Back to top](#)

Manufacturing Product Catalog



FOUNDATION, ANTENNA MPN 820-1200-1-1

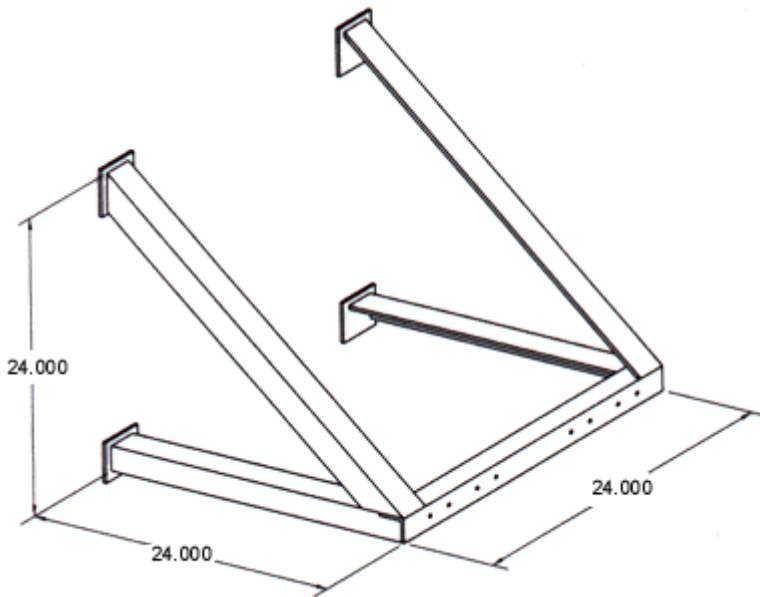
- Ideal for mounting antennas
- Material: 1/4" A-36 steel
- Welded IAW MIL-STD 1688/89
- Primed/painted epoxy 151, color: haze gray
- Other sizes available, just call!
- Shipping weight 12 lbs

© VT Milcom
Manufacturing Division
"Precision Craftsmanship Since 1981"

901 Professional Place
Chesapeake VA 23320
Phone: (757) 547-0202
Fax: (757) 548-2117

[Back to top](#)

Manufacturing Product Catalog



SWAYBRACE, 24" ANGULAR MPN 820-1300-1-24

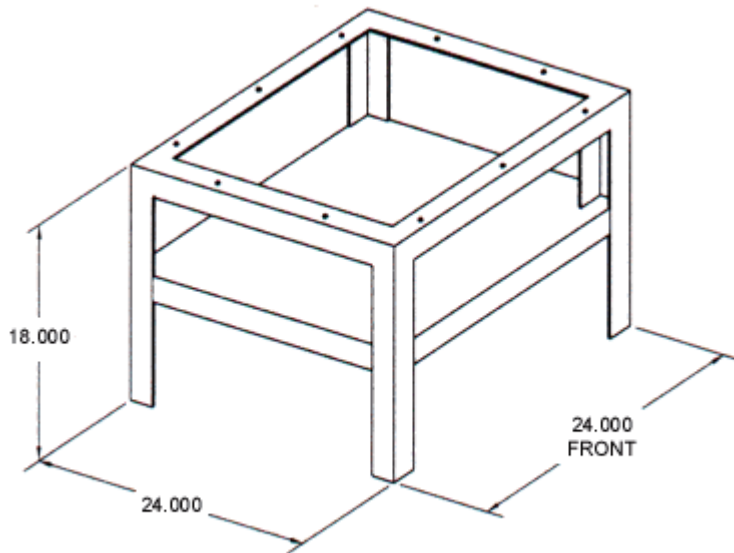
- Ideal for standard 19" Equipment Rack
- Material: 2" x 2" x 1/4" QQ-A-200 ASTM B221 aluminum angle
- Bulkhead mounted
- Welded IAW MIL-STD-278
- Other sizes available, just call!
- Primer finish, painted upon request
- Shipping weight 14 lbs

© VT Milcom
Manufacturing Division
"Precision Craftsmanship Since 1981"

901 Professional Place
Chesapeake VA 23320
Phone: (757) 547-0202
Fax: (757) 548-2117

[Back to top](#)

Manufacturing Product Catalog



FOUNDATION, DECK MOUNT MPN 820-1500-1-18

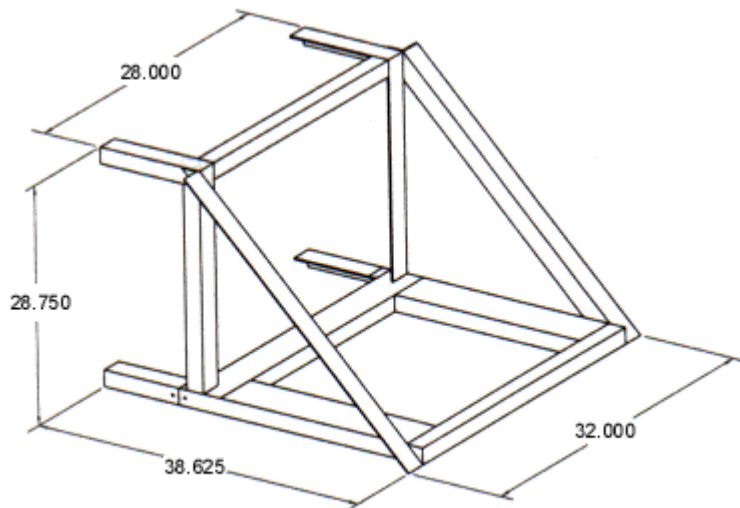
- Ideal for 5600 series Switch Enclosure
- Aluminum construction - 30 lbs shipping weight
- Also available in steel - 45 lbs shipping weight
- Welded IAW MIL-STD-278
- Other sizes available, just ask!
- Primer finish, painted upon request

© VT Milcom
Manufacturing Division
"Precision Craftsmanship Since 1981"

901 Professional Place
Chesapeake VA 23320
Phone: (757) 547-0202
Fax: (757) 548-2117

[Back to top](#)

Manufacturing Product Catalog



FOUNDATION, BULKHEAD MOUNT MPN 820-1500-2-28

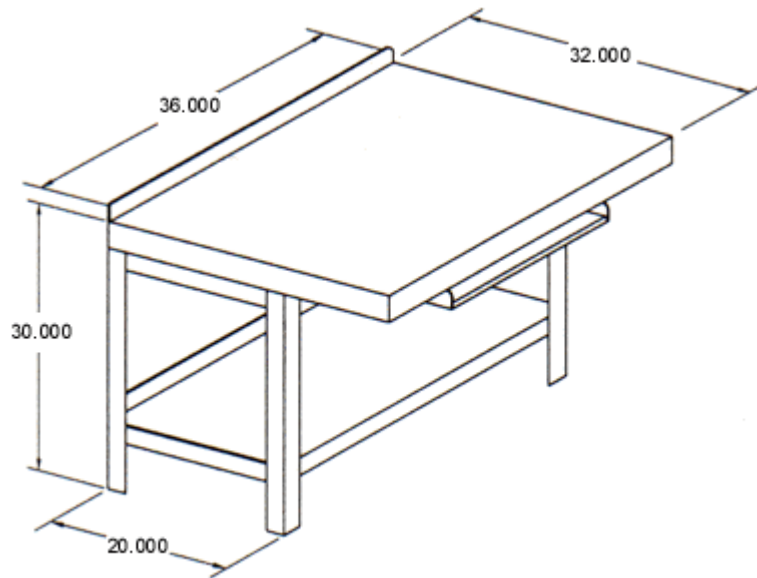
- Ideal for 5600 series Switch Enclosure
- Aluminum construction - 35 lbs shipping weight
- Also available in steel - 60 lbs shipping weight
- Welded IAW MIL-STD-278
- Other sizes available, just ask!
- Primed/painted catalyzed enamel finish, FED STD 595, color 26307, gray

© VT Milcom
Manufacturing Division
"Precision Craftsmanship Since 1981"

901 Professional Place
Chesapeake VA 23320
Phone: (757) 547-0202
Fax: (757) 548-2117

[Back to top](#)

Manufacturing Product Catalog



COMPUTER WORKSTATION, SINGLE MPN 820-2100-1-36

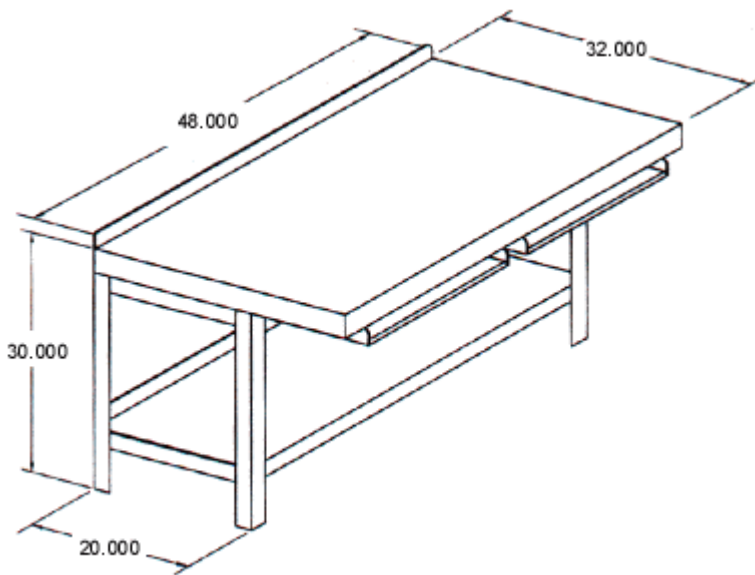
- Aluminum construction
- Shown with optional keyboard tray assembly, MPN 820-8200-4-1
- Primed/painted catalyzed enamel finish, FED STD 595, color 26307, gray
- Also available in 48" and 60"
- Shipping weight 95 lbs

© VT Milcom
Manufacturing Division
"Precision Craftsmanship Since 1981"

901 Professional Place
Chesapeake VA 23320
Phone: (757) 547-0202
Fax: (757) 548-2117

[Back to top](#)

Manufacturing Product Catalog



COMPUTER WORKSTATION, DUAL MPN 820-2100-2-48

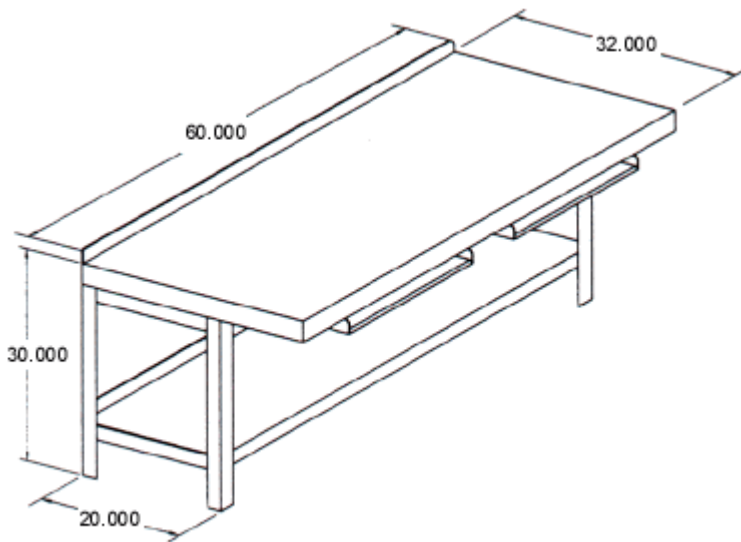
- Aluminum construction
- Shown with optional keyboard tray assembly, MPN 820-8200-4-1
- Primed/painted catalyzed enamel finish, FED STD 595, color 26307, gray
- Also available in 36" and 60"
- Shipping weight 120 lbs

© VT Milcom
Manufacturing Division
"Precision Craftsmanship Since 1981"

901 Professional Place
Chesapeake VA 23320
Phone: (757) 547-0202
Fax: (757) 548-2117

[Back to top](#)

Manufacturing Product Catalog



COMPUTER WORKSTATION, DUAL MPN 820-2100-2-60

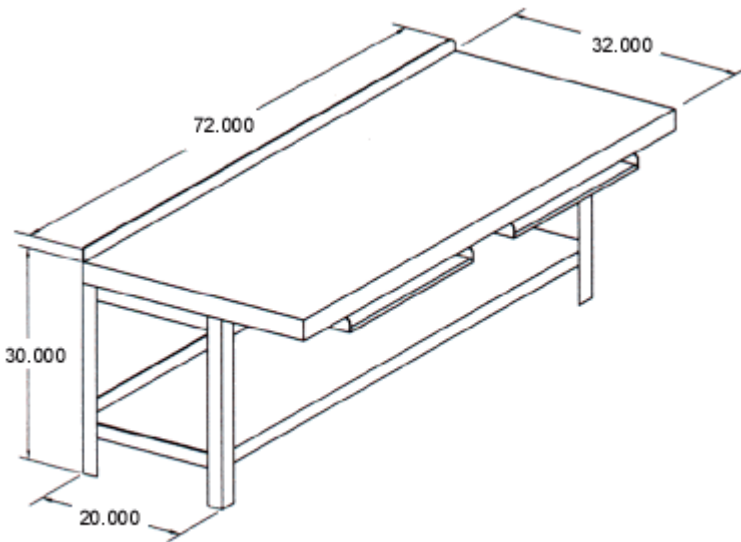
- Aluminum construction
- Shown with optional keyboard tray assembly, MPN 820-8200-4-1
- Primed/painted catalyzed enamel finish, FED STD 595, color 26307, gray
- Also available in 36" and 48"
- Shipping weight 140 lbs

© VT Milcom
Manufacturing Division
"Precision Craftsmanship Since 1981"

901 Professional Place
Chesapeake VA 23320
Phone: (757) 547-0202
Fax: (757) 548-2117

[Back to top](#)

Manufacturing Product Catalog



COMPUTER WORKSTATION, DUAL MPN 820-2100-2-72

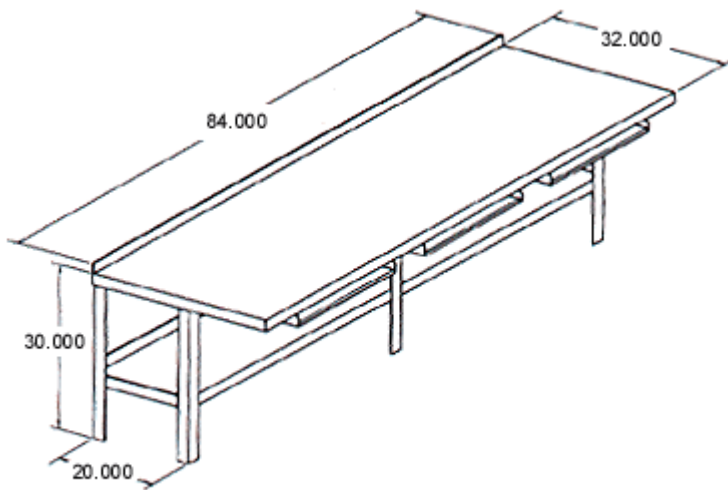
- Aluminum construction
- Shown with optional keyboard tray assembly, MPN 820-8200-4-1
- Primed/painted catalyzed enamel finish, FED STD 595, color 26307, gray
- Also available in 84" and 96"
- Shipping weight 165 lbs

© VT Milcom
Manufacturing Division
"Precision Craftsmanship Since 1981"

901 Professional Place
Chesapeake VA 23320
Phone: (757) 547-0202
Fax: (757) 548-2117

[Back to top](#)

Manufacturing Product Catalog



COMPUTER WORKSTATION, TRIPLE MPN 820-2100-3-84

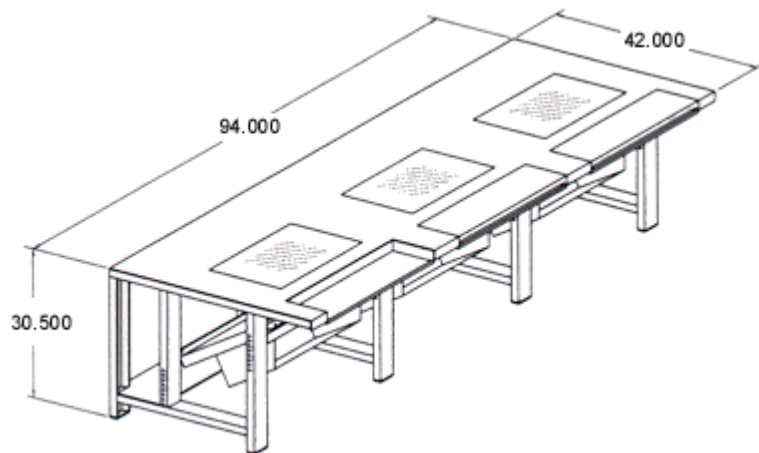
- Aluminum construction
- Shown with optional keyboard tray assembly, MPN 820-8200-4-1
- Primed/painted catalyzed enamel finish, FED STD 595, color 26307, gray
- Also available in 72" and 96"
- Shipping weight 180 lbs

© VT Milcom
Manufacturing Division
"Precision Craftsmanship Since 1981"

901 Professional Place
Chesapeake VA 23320
Phone: (757) 547-0202
Fax: (757) 548-2117

[Back to top](#)

Manufacturing Product Catalog



TABLE, TRIPLE VIEWPORT MPN 820-2100-3-94

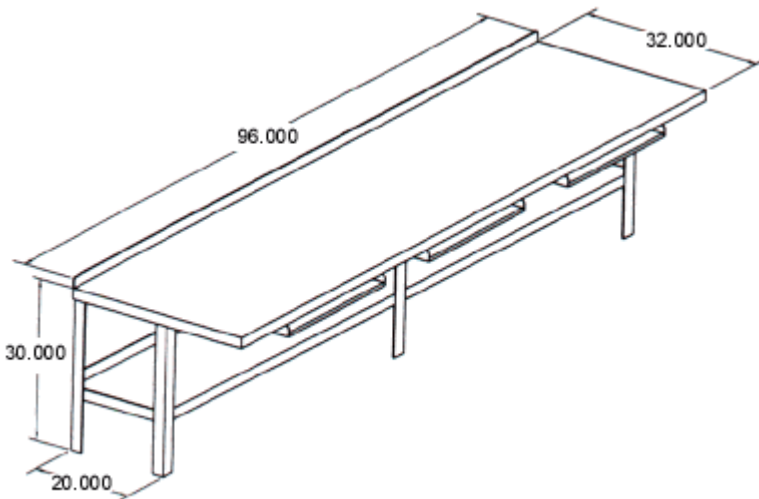
- Table material: 0.190" aluminum 5052-H32, ASTM B209
- Leg material: 3" x 1.5" aluminum 6061-T6 channel, ASTM-B308
- Viewing surface: 0.250" clear polycarbonate
- Removable/stowable keyboard cover
- Adjustable, shockmounted CPU/Monitor Tray
- Rear shelf for peripheral units
- Shipping weight 265 lbs

© VT Milcom
Manufacturing Division
"Precision Craftsmanship Since 1981"

901 Professional Place
Chesapeake VA 23320
Phone: (757) 547-0202
Fax: (757) 548-2117

[Back to top](#)

Manufacturing Product Catalog



COMPUTER WORKSTATION, TRIPLE MPN 820-2100-3-96

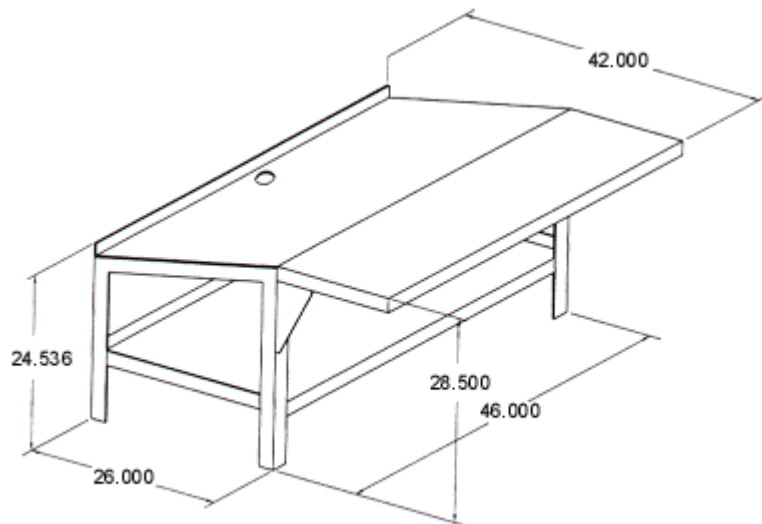
- Aluminum construction
- Shown with optional keyboard tray assembly, MPN 820-8200-4-1
- Primed/painted catalyzed enamel finish, FED STD 595, color 26307, gray
- Also available in 72" and 84"
- Shipping weight 190 lbs

© VT Milcom
Manufacturing Division
"Precision Craftsmanship Since 1981"

901 Professional Place
Chesapeake VA 23320
Phone: (757) 547-0202
Fax: (757) 548-2117

[Back to top](#)

Manufacturing Product Catalog



WORKSTATION, SLOPED, TWO POSITION MPN 820-2100-4-1

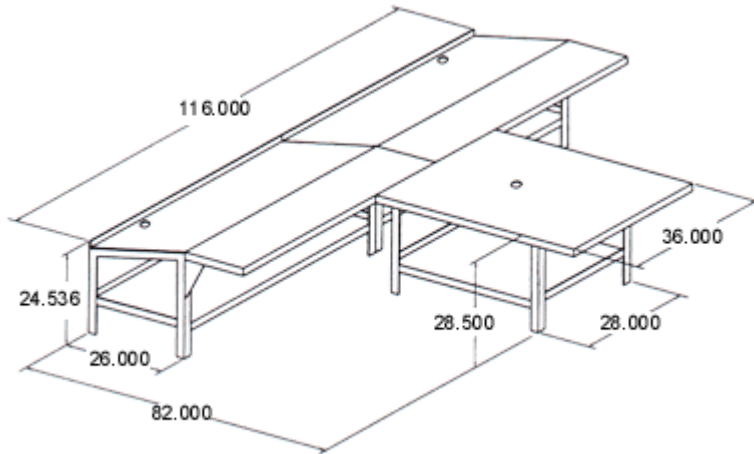
- Material: 3/16" aluminum
- Bolted construction for easy assembly
- Designed to support two 17" Monitors
- Welded IAW MIL-STD-1688/89
- Primed/painted catalyzed enamel finish, FED STD 595, color 26307, gray
- Shipping weight 95 lbs

© VT Milcom
Manufacturing Division
"Precision Craftsmanship Since 1981"

901 Professional Place
Chesapeake VA 23320
Phone: (757) 547-0202
Fax: (757) 548-2117

[Back to top](#)

Manufacturing Product Catalog



WORKSTATION, SLOPED, FIVE POSITION MPN 820-2100-4-2

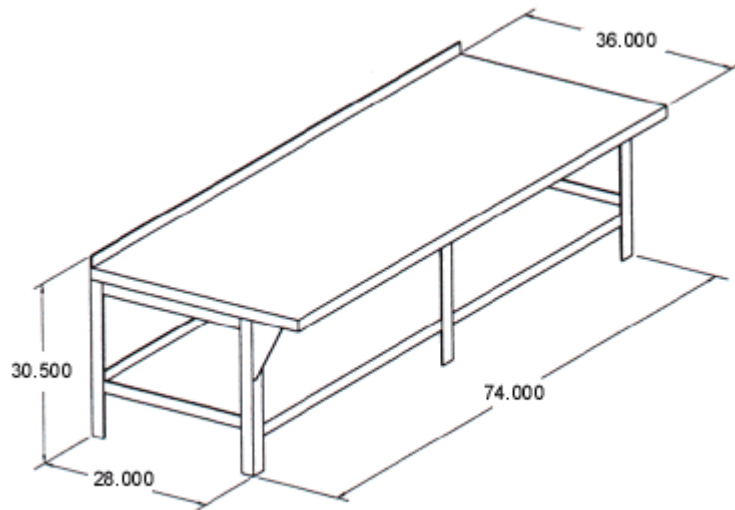
- Material: 3/16" aluminum
- Bolted construction for easy assembly
- Other sizes available, just call!
- Welded IAW MIL-STD-1688/89
- Primed/painted catalyzed enamel finish, FED STD 595, color 26307, gray
- Shipping weight 225 lbs

© VT Milcom
Manufacturing Division
"Precision Craftsmanship Since 1981"

901 Professional Place
Chesapeake VA 23320
Phone: (757) 547-0202
Fax: (757) 548-2117

[Back to top](#)

Manufacturing Product Catalog



TABLE, TRIPLE WORKSTATION MPN 820-2100-4-3

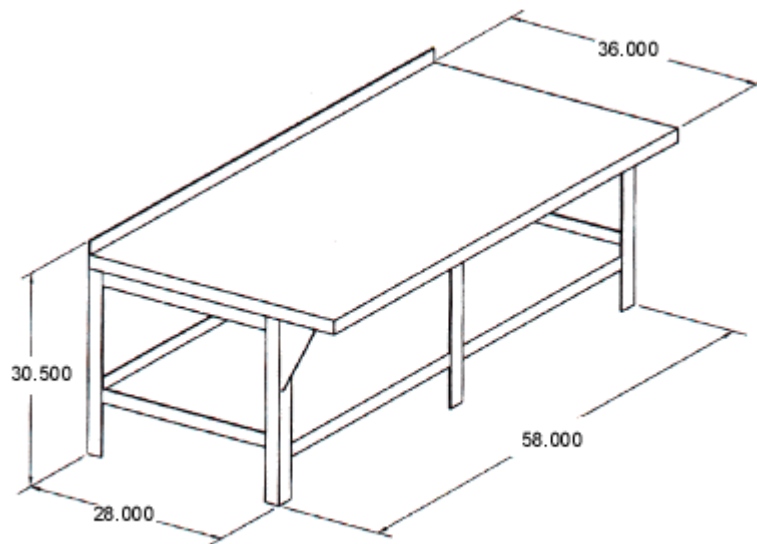
- Material: 3/16" aluminum
- Bolted construction for easy assembly
- Other sizes available, just call!
- Welded IAW MIL-STD-1688/89
- Primed/painted catalyzed enamel finish, FED STD 595, color 26307, gray
- Shipping weight 145 lbs

© VT Milcom
Manufacturing Division
"Precision Craftsmanship Since 1981"

901 Professional Place
Chesapeake VA 23320
Phone: (757) 547-0202
Fax: (757) 548-2117

[Back to top](#)

Manufacturing Product Catalog



DOUBLE WORKSTATION TABLE MPN 820-2100-4-4

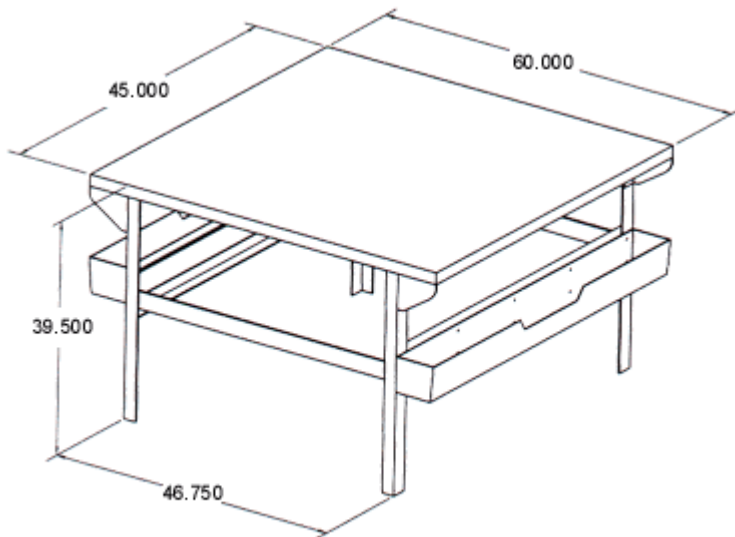
- Material: 3/16" aluminum
- Bolted construction for easy assembly
- Other sizes available, just call!
- Welded IAW MIL-STD-1688/89
- Primed/painted catalyzed enamel finish, FED STD 595, color 26307, gray
- Shipping weight 145 lbs

© VT Milcom
Manufacturing Division
"Precision Craftsmanship Since 1981"

901 Professional Place
Chesapeake VA 23320
Phone: (757) 547-0202
Fax: (757) 548-2117

[Back to top](#)

Manufacturing Product Catalog



TABLE, CHART STORAGE MPN 820-2100-4-5

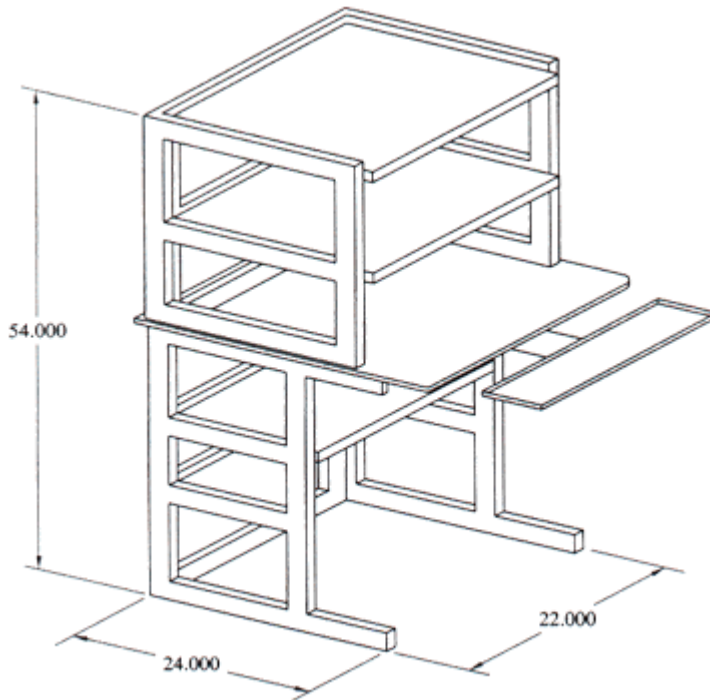
- Material: 3/16" aluminum
- Bolted construction for easy assembly
- Other sizes available, just call!
- Welded IAW MIL-STD-1688/89
- Primed/painted catalyzed enamel finish, FED STD 595, color 26307, gray
- Shipping weight 115 lbs

© VT Milcom
Manufacturing Division
"Precision Craftsmanship Since 1981"

901 Professional Place
Chesapeake VA 23320
Phone: (757) 547-0202
Fax: (757) 548-2117

[Back to top](#)

Manufacturing Product Catalog



MODULAR WORKSTATION, 24" for SMART TRACK SYSTEM MPN 820-2200-1-24

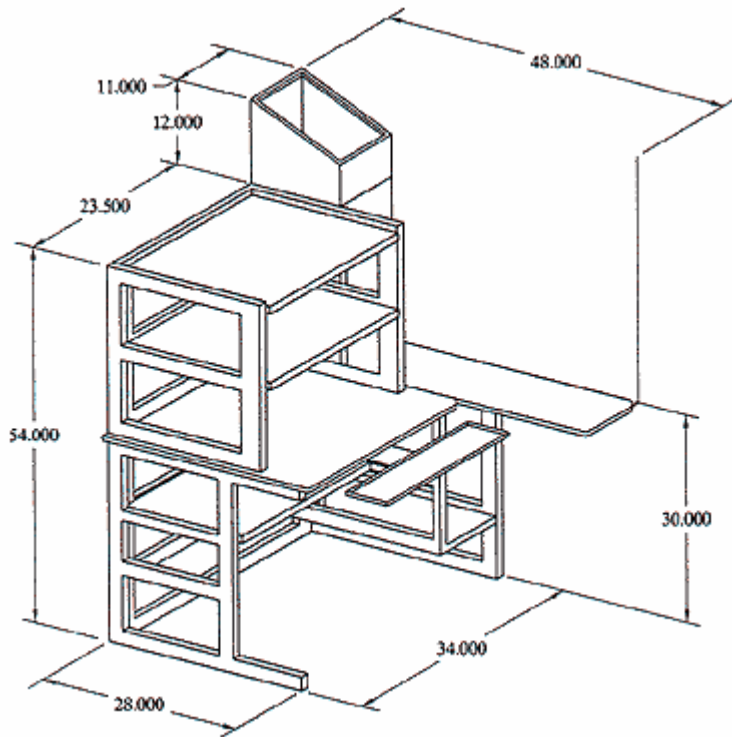
- Aluminum construction
- Laminate table tops
- Articulating keyboard tray
- Easy to assemble
- Shipping weight 150 lbs

© VT Milcom
Manufacturing Division
"Precision Craftsmanship Since 1981"

901 Professional Place
Chesapeake VA 23320
Phone: (757) 547-0202
Fax: (757) 548-2117

[Back to top](#)

Manufacturing Product Catalog



MODULAR WORKSTATION, 36" for SMART TRACK SYSTEM MPN 820-2200-1-36

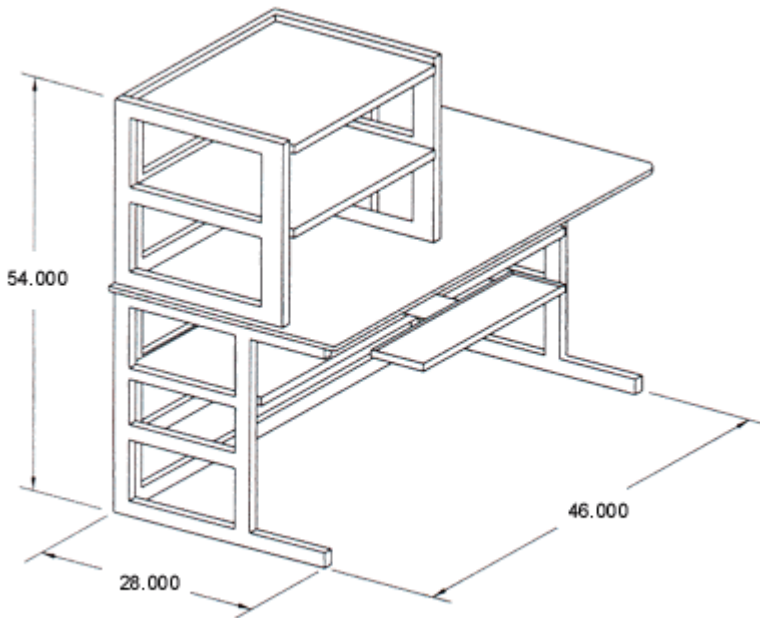
- Aluminum construction
- Laminate table tops
- Articulating keyboard tray
- Features computer & UPS mounting Shelf, Bookrack and Fiddleboard
- Shipping weight 190 lbs

© VT Milcom
Manufacturing Division
"Precision Craftsmanship Since 1981"

901 Professional Place
Chesapeake VA 23320
Phone: (757) 547-0202
Fax: (757) 548-2117

[Back to top](#)

Manufacturing Product Catalog



MODULAR WORKSTATION, 48" for SMART TRACK SYSTEM MPN 820-2200-1-48

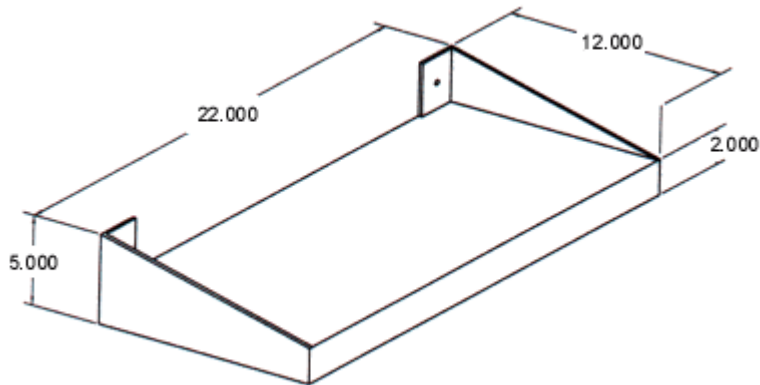
- Aluminum construction
- Laminate table tops
- Articulating keyboard tray
- Features computer & UPS Mounting Shelf
- Easy to assemble
- Shipping weight 195 lbs

© VT Milcom
Manufacturing Division
"Precision Craftsmanship Since 1981"

901 Professional Place
Chesapeake VA 23320
Phone: (757) 547-0202
Fax: (757) 548-2117

[Back to top](#)

Manufacturing Product Catalog



SHELF, FIXED MOUNT MPN 820-2500-1-22

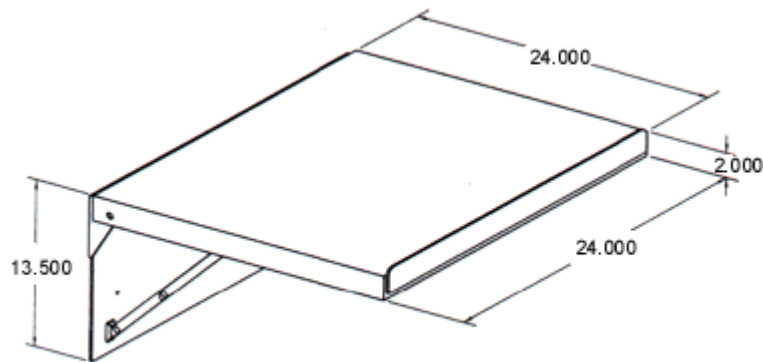
- Material: 0.190" aluminum 5052-H32, ASTM B209
- Primed/painted catalyzed enamel finish, FED STD 595, color 26307, gray
- Other sizes available, just call!
- Shipping weight 17 lbs

© VT Milcom
Manufacturing Division
"Precision Craftsmanship Since 1981"

901 Professional Place
Chesapeake VA 23320
Phone: (757) 547-0202
Fax: (757) 548-2117

[Back to top](#)

Manufacturing Product Catalog



TABLE, FOLDING, 24" x 24" MPN 820-2500-2-24

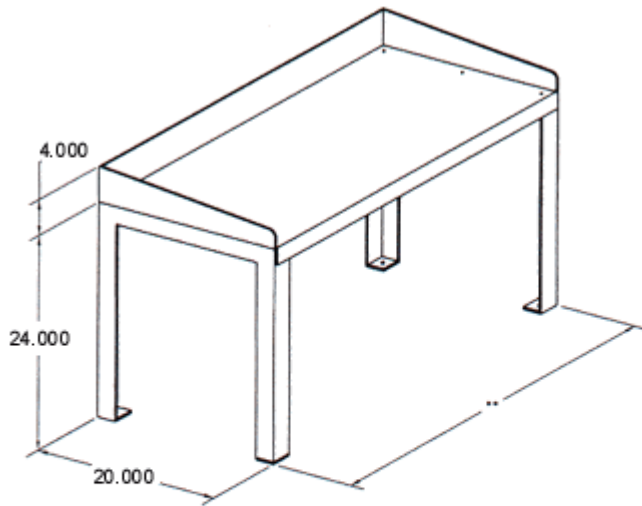
- Material: 0.190" aluminum 5052-H32, ASTM B209
- Bulkhead mountable table
- Zinc plated locking arm hinge
- Table top locks down in stowed position
- Removable front faceplate
- Primed/painted catalyzed enamel finish, FED STD 595, color 26307, gray
- Shipping weight 53 lbs

© VT Milcom
Manufacturing Division
"Precision Craftsmanship Since 1981"

901 Professional Place
Chesapeake VA 23320
Phone: (757) 547-0202
Fax: (757) 548-2117

[Back to top](#)

Manufacturing Product Catalog



FOR SIZE:	ORDER PART #:
36"	-36
48"	-48
60"	-60

SHELF, TABLE MOUNT MPN 820-2500-3-*

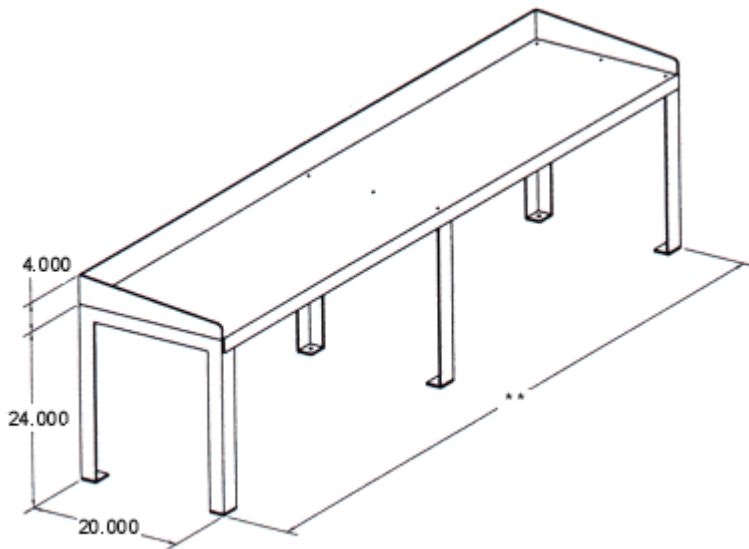
- Aluminum construction
- Designed to be utilized with MPN 820-2100-2-36
- Primed/painted catalyzed enamel finish, FED STD 595, color 26307, gray
- Heavy duty (extra bracing) shelves available
- Shipping weight 30-50 lbs

© VT Milcom
Manufacturing Division
"Precision Craftsmanship Since 1981"

901 Professional Place
Chesapeake VA 23320
Phone: (757) 547-0202
Fax: (757) 548-2117

[Back to top](#)

Manufacturing Product Catalog



SHELF, TABLE MOUNT MPN 820-2500-4-*

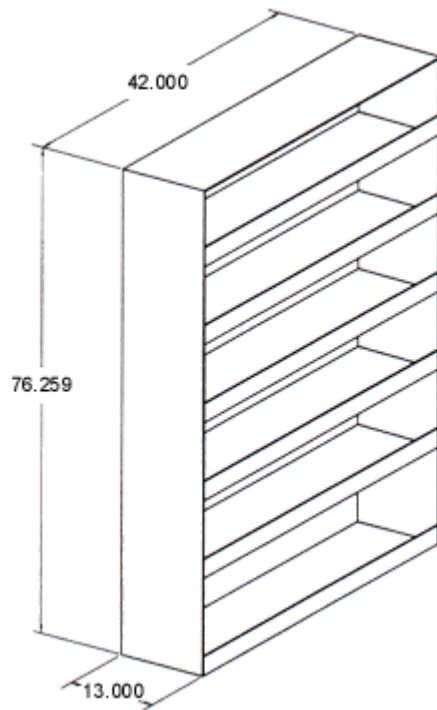
- Aluminum Construction
- Designed to be utilized with MPN 820-2100-2-36
- Primed/painted catalyzed enamel finish, FED STD 595, color 26307, gray
- Heavy duty (extra bracing) shelves available
- Shipping weight 55-85 lbs

© VT Milcom
Manufacturing Division
"Precision Craftsmanship Since 1981"

901 Professional Place
Chesapeake VA 23320
Phone: (757) 547-0202
Fax: (757) 548-2117

[Back to top](#)

Manufacturing Product Catalog



BOOKSHELF, FIVE SHELF MPN 820-2600-1-6

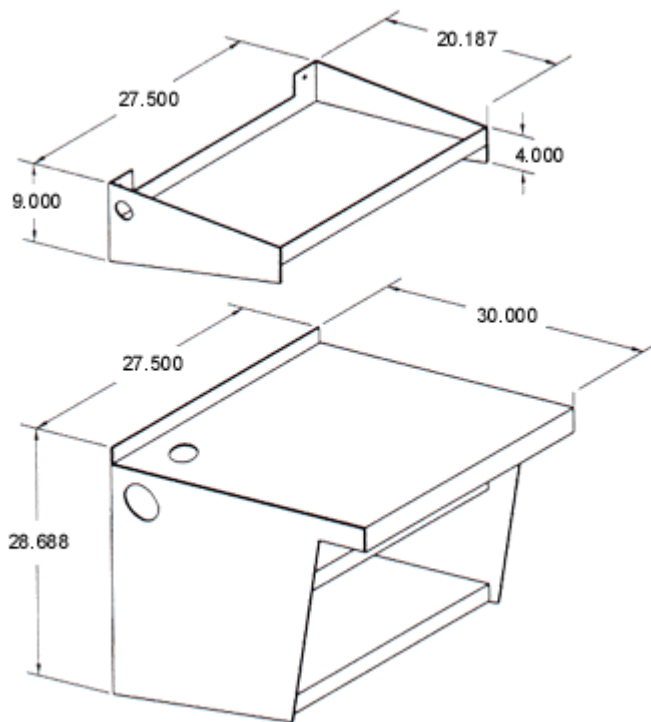
- Material: 0.190" aluminum 5052-H32, ASTM B209
- Other sizes available, just call!
- Primed/painted catalyzed enamel finish, FED STD 595, color 26307, gray
- Welded IAW MIL-STD-278
- Shipping weight 170 lbs

© VT Milcom
Manufacturing Division
"Precision Craftsmanship Since 1981"

901 Professional Place
Chesapeake VA 23320
Phone: (757) 547-0202
Fax: (757) 548-2117

[Back to top](#)

Manufacturing Product Catalog



WORKSTATION, NOW, BHD (SET) MPN 820-2700-1-27

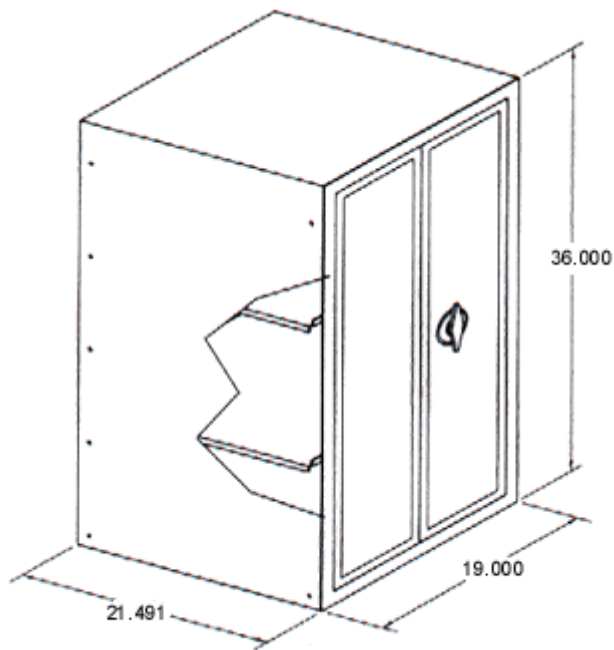
- Best suited for NOW Systems
- Material: 0.190" aluminum 5052-H32, ASTM B209
- Primed/painted catalyzed enamel finish, FED STD 595, color 26307, gray
- Other sizes available, just call!
- Shipping weight 115 lbs

© VT Milcom
Manufacturing Division
"Precision Craftsmanship Since 1981"

901 Professional Place
Chesapeake VA 23320
Phone: (757) 547-0202
Fax: (757) 548-2117

[Back to top](#)

Manufacturing Product Catalog



LOCKER, RACK, DOUBLE DOOR MPN 820-3100-1-2

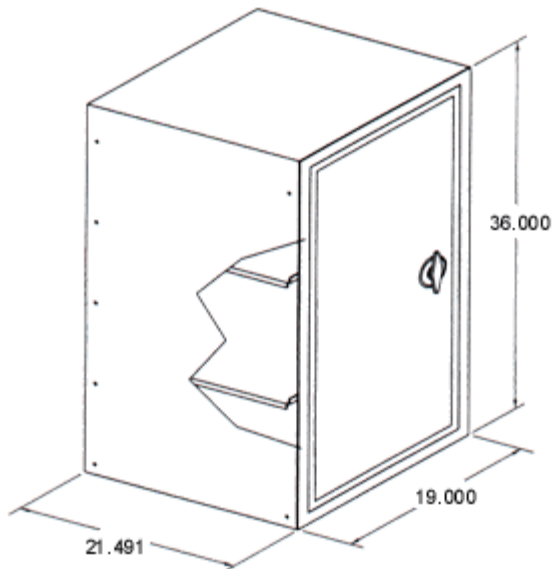
- Material: 0.125" aluminum 5052-H3, ASTM B209
- Double door/double shelf design
- Includes circular latch assembly
- Pop rivet assembly, laminated door, stainless trim
- Shipping weight 50 lbs

© VT Milcom
Manufacturing Division
"Precision Craftsmanship Since 1981"

901 Professional Place
Chesapeake VA 23320
Phone: (757) 547-0202
Fax: (757) 548-2117

[Back to top](#)

Manufacturing Product Catalog



LOCKER, RACK, SINGLE DOOR MPN 820-3100-2-1

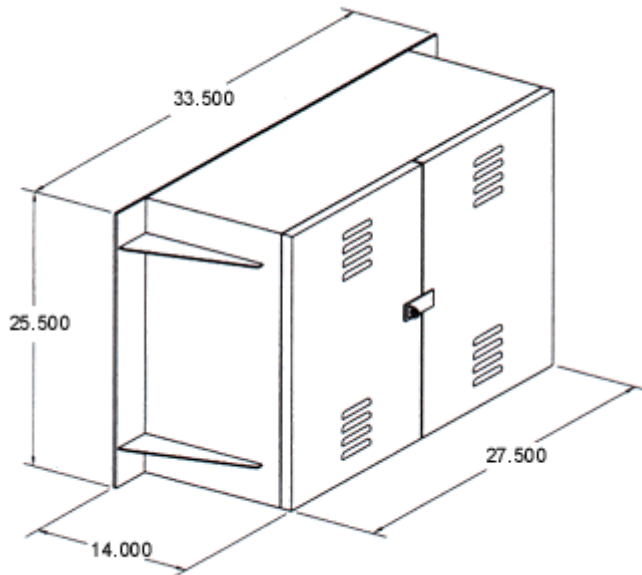
- Material: 0.125" aluminum 5052-H3, ASTM B209
- Single door/double shelf design
- Includes circular latch assembly
- Pop rivet assembly, laminated door, stainless trim
- Shipping weight 50 lbs

© VT Milcom
Manufacturing Division
"Precision Craftsmanship Since 1981"

901 Professional Place
Chesapeake VA 23320
Phone: (757) 547-0202
Fax: (757) 548-2117

[Back to top](#)

Manufacturing Product Catalog



CABINET, DOUBLE DOOR, SECURE MPN 820-3200-1-1

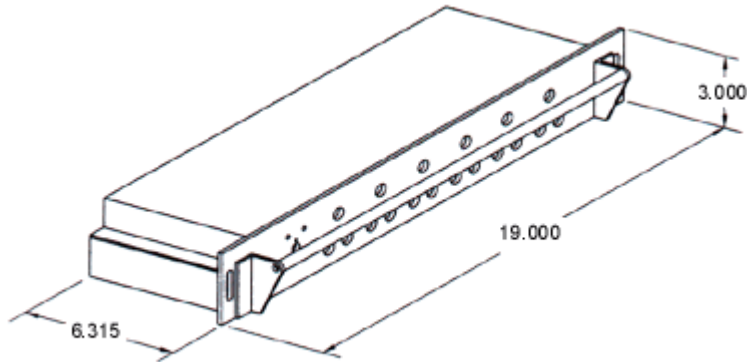
- Aluminum construction
- Bulkhead mounting secure locker
- Louvered, double, locking door design
- Welded IAW MIL-STD-278
- Primed/painted catalyzed enamel finish, FED STD 595, color 26307, gray
- Shipping weight 70 lbs

© VT Milcom
Manufacturing Division
"Precision Craftsmanship Since 1981"

901 Professional Place
Chesapeake VA 23320
Phone: (757) 547-0202
Fax: (757) 548-2117

[Back to top](#)

Manufacturing Product Catalog



ENCLOSURE, 6 POSITION, DUAL FUSE POWER DISTRIBUTION MPN 820-4100-1-19

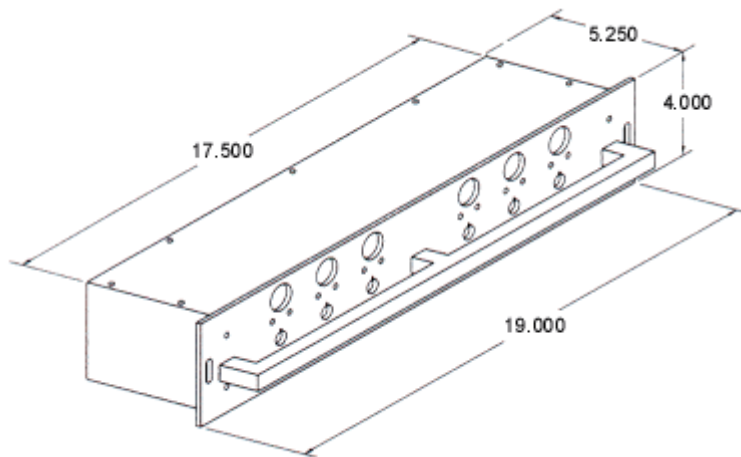
- Ideal for standard 19" Equipment Rack
- Aluminum construction
- Available with or without electronics
- 6 position Power Distribution Unit with dual fuses
- 115V Main Breaker Switch
- Primer finish, painted upon request
- Shipping weight 10 lbs

© VT Milcom
Manufacturing Division
"Precision Craftsmanship Since 1981"

901 Professional Place
Chesapeake VA 23320
Phone: (757) 547-0202
Fax: (757) 548-2117

[Back to top](#)

Manufacturing Product Catalog



ENCLOSURE, 6 POSITION, SINGLE FUSE POWER DISTRIBUTION MPN 820-4100-6-19

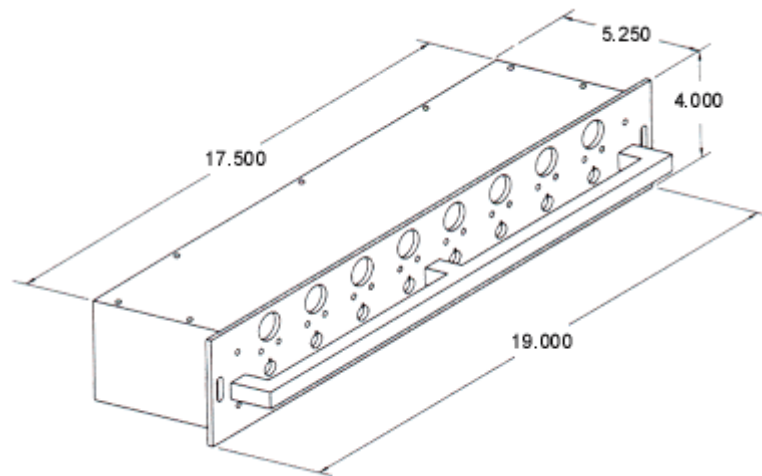
- 6 position, 19" rack mountable
- Features aluminum Switch Guard
- Delivered with or without electronics, your choice!
- Material: Aluminum 5052-H32, ASTM B209
- Primed/painted catalyzed enamel finish, FED STD 595, color 26307, gray
- Other custom sizes and units available, just call!
- Shipping weight 12 lbs

© VT Milcom
Manufacturing Division
"Precision Craftsmanship Since 1981"

901 Professional Place
Chesapeake VA 23320
Phone: (757) 547-0202
Fax: (757) 548-2117

[Back to top](#)

Manufacturing Product Catalog



ENCLOSURE, 8 POSITION, SINGLE FUSE POWER DISTRIBUTION MPN 820-4100-8-19

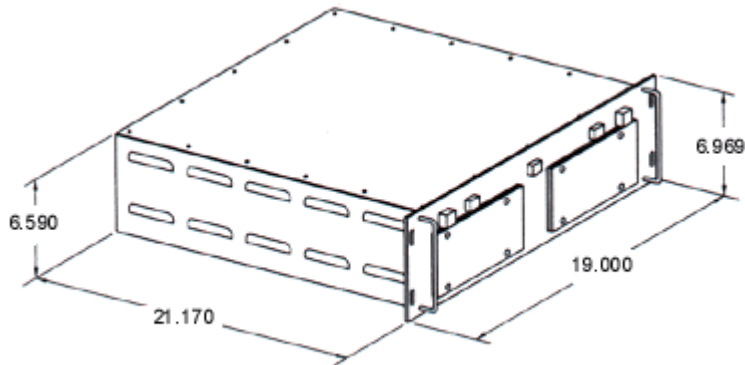
- 8 position, 19" rack mountable
- Features aluminum Switch Guard
- Delivered with or without electronics, your choice!
- Material: Aluminum 5052-H32, ASTM B209
- Primed/painted catalyzed enamel finish, FED STD 595, color 26307, gray
- Other custom sizes and units available, just call!
- Shipping weight 12 lbs

© VT Milcom
Manufacturing Division
"Precision Craftsmanship Since 1981"

901 Professional Place
Chesapeake VA 23320
Phone: (757) 547-0202
Fax: (757) 548-2117

[Back to top](#)

Manufacturing Product Catalog



ENCLOSURE, TAMPS MPN 820-4200-1-1

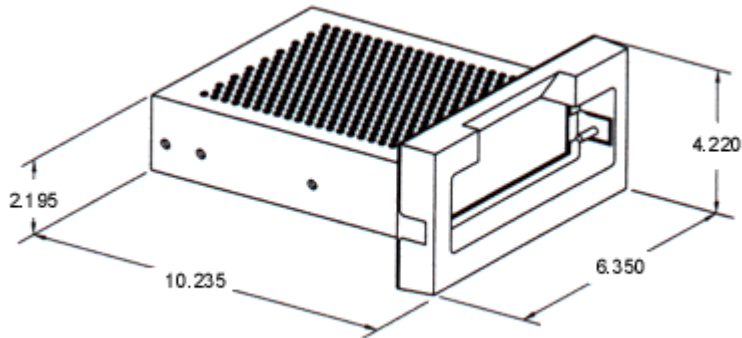
- Aluminum construction
- Designed to interface with Data Storage Unit Receptacle, MPN 820-4300-1-1
- Rack mountable Power Supply Enclosure
- Equipped with slide mounting holes
- Removable cover panel
- Faceplate painted upon request
- Shipping weight 38 lb

© VT Milcom
Manufacturing Division
"Precision Craftsmanship Since 1981"

901 Professional Place
Chesapeake VA 23320
Phone: (757) 547-0202
Fax: (757) 548-2117

[Back to top](#)

Manufacturing Product Catalog



DATA STORAGE UNIT, RECEPTACLE MPN 820-4300-1-1

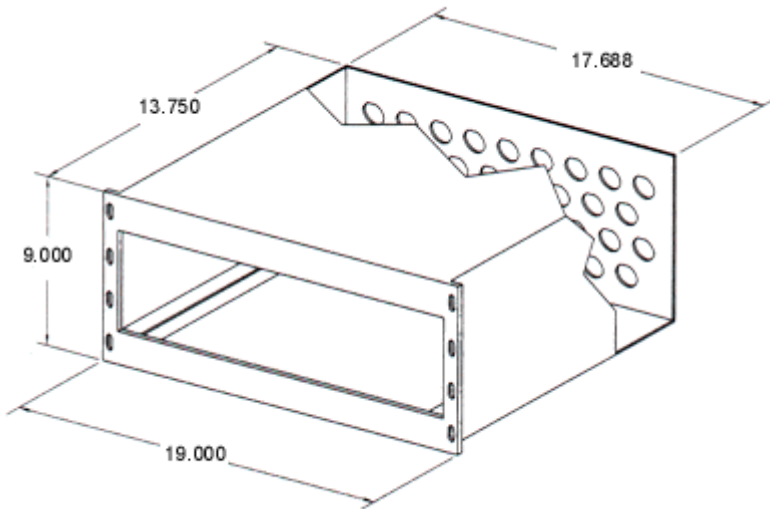
- Aluminum construction
- Front plate bezel
- Designed to interface with TAMPS Enclosure, MPN 820-4200-1-1
- Designed to hold Flight Data Recorder
- Shipping weight 2 lbs

© VT Milcom
Manufacturing Division
"Precision Craftsmanship Since 1981"

901 Professional Place
Chesapeake VA 23320
Phone: (757) 547-0202
Fax: (757) 548-2117

[Back to top](#)

Manufacturing Product Catalog



ENCLOSURE, PATCH MPN 820-4400-1-19

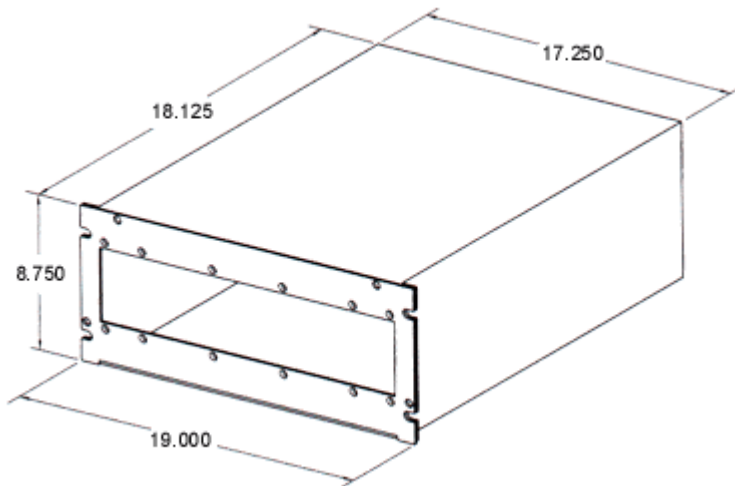
- Specially designed for SB-4124/WC Patch Panel
- 19" rack mountable
- Delivered with or without electronics, your choice!
- Material: Aluminum 5052-H32, ASTM B209
- Primed/painted catalyzed enamel finish, FED STD 595, color 26307, gray
- Other custom sizes and units available, just call!
- Shipping weight (empty) 21 lbs

© VT Milcom
Manufacturing Division
"Precision Craftsmanship Since 1981"

901 Professional Place
Chesapeake VA 23320
Phone: (757) 547-0202
Fax: (757) 548-2117

[Back to top](#)

Manufacturing Product Catalog



ENCLOSURE, PATCH SB-4255/58 MPN 820-4410-2-19

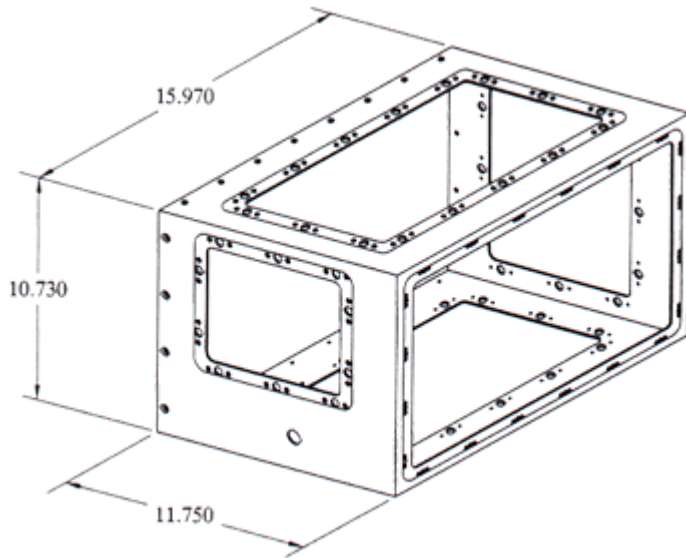
- 19" Rack mountable
- Bottom hinge front panel for servicing ease
- Delivered with or without electronics, your choice!
- Material: Aluminum 5052-H32, ASTM B209
- 4255 Primed/painted catalyzed enamel finish, FED STD 595, color 21136, red
- 4258 Primed/painted catalyzed enamel finish, FED STD 595, color 26307, gray
- Other custom sizes and units available, just call!
- Shipping weight (empty) 26 lbs

© VT Milcom
Manufacturing Division
"Precision Craftsmanship Since 1981"

901 Professional Place
Chesapeake VA 23320
Phone: (757) 547-0202
Fax: (757) 548-2117

[Back to top](#)

Manufacturing Product Catalog



FRAME, INTERFACE DEVICE MPN 820-4500-1-1

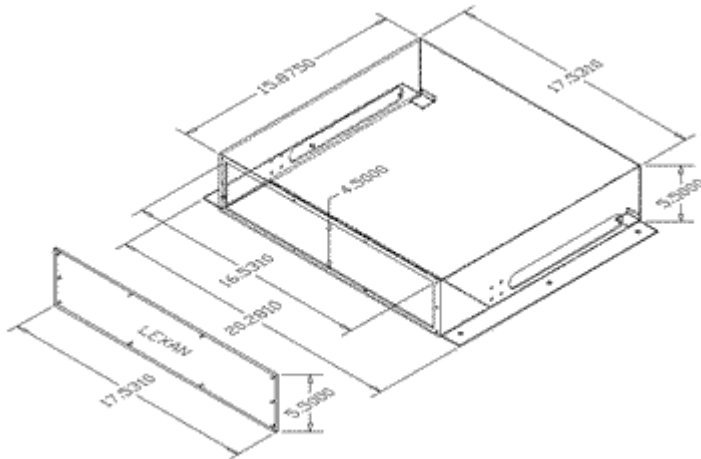
- Material: 0.090" Aluminum 5052-H32, ASTM B209
- Electrical enclosure, including easily removable panels
- Panels manufactured to suit your needs
- Primed/painted catalyzed enamel finish, FED STD 595, color 15050, blue
- Shipping weight 4 lbs

© VT Milcom
Manufacturing Division
"Precision Craftsmanship Since 1981"

901 Professional Place
Chesapeake VA 23320
Phone: (757) 547-0202
Fax: (757) 548-2117

[Back to top](#)

Manufacturing Product Catalog



ENCLOSURE, ISNS SWITCH MPN 820-4600-1-1

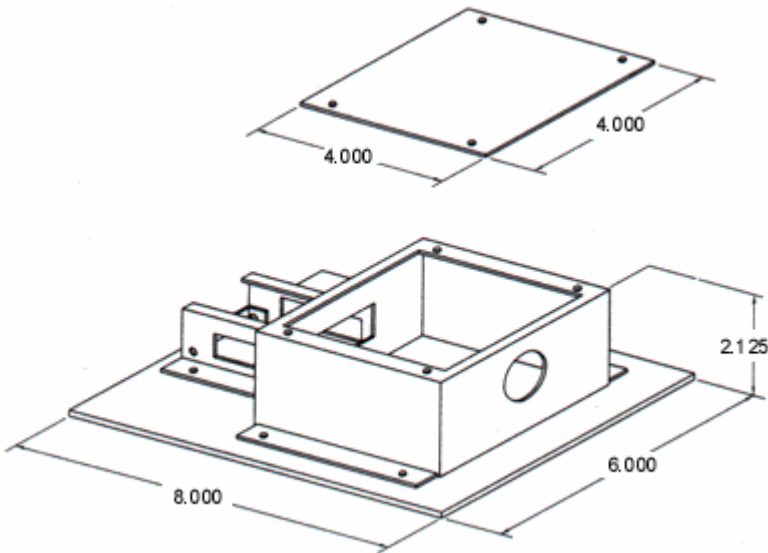
- Material: 0.125" Aluminum 5052-H32, ASTM B209
- Electrical enclosure, including easily removable lexan panel
- Primed/painted catalyzed enamel finish, FED STD 595, color 26307, GRAY
- Shipping weight 8 lbs

© VT Milcom
Manufacturing Division
"Precision Craftsmanship Since 1981"

901 Professional Place
Chesapeake VA 23320
Phone: (757) 547-0202
Fax: (757) 548-2117

[Back to top](#)

Manufacturing Product Catalog



ENCLOSURE, FIBER-OPTIC TRANSCEIVER, SINGLE EXIT MPN 820-5100-1-44"

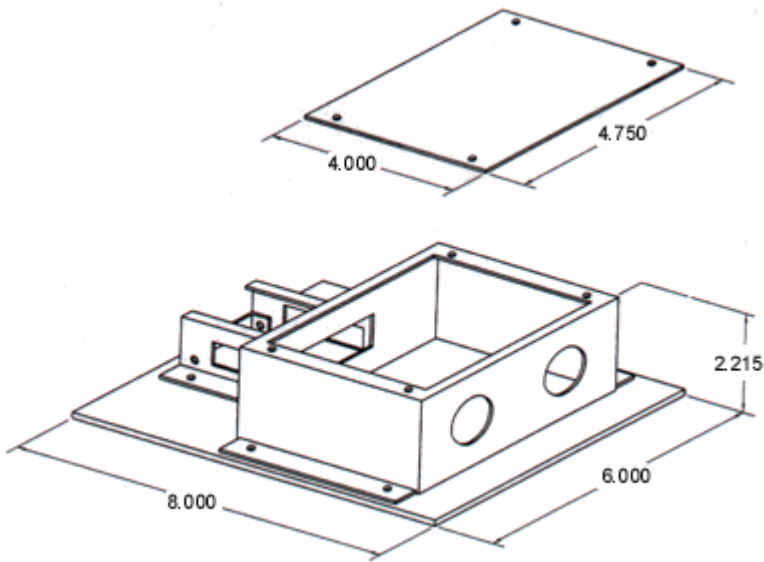
- Material: Aluminum 5052-H32, ASTM B209
- Primer/painted catalyzed enamel finish, FED STD 595, color 26307, gray
- Other custom sizes and units available, just call!
- Shipping Weight (empty) 8 lbs

© VT Milcom
Manufacturing Division
"Precision Craftsmanship Since 1981"

901 Professional Place
Chesapeake VA 23320
Phone: (757) 547-0202
Fax: (757) 548-2117

[Back to top](#)

Manufacturing Product Catalog



ENCLOSURE, FIBER-OPTIC TRANSCEIVER, DUAL EXIT MPN 820-5100-2-45"

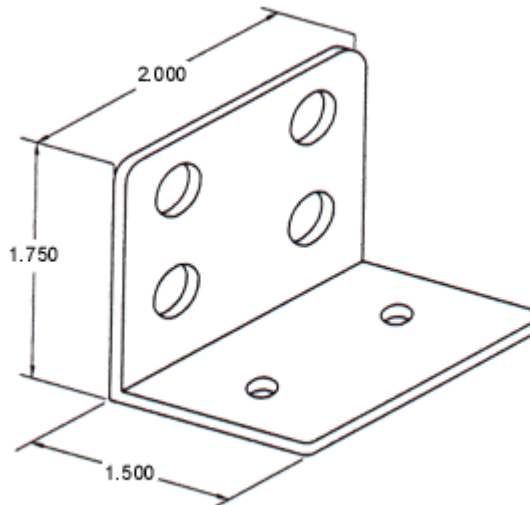
- Material: Aluminum 5052-H32, ASTM B209
- Primed/painted catalyzed enamel finish, FED STD 595, color 26307, gray
- Other custom sizes and units available, just call!
- Shipping Weight (empty) 8 lbs

© VT Milcom
Manufacturing Division
"Precision Craftsmanship Since 1981"

901 Professional Place
Chesapeake VA 23320
Phone: (757) 547-0202
Fax: (757) 548-2117

[Back to top](#)

Manufacturing Product Catalog



BRACKET, PIGTAIL MPN 820-5200-1-1"

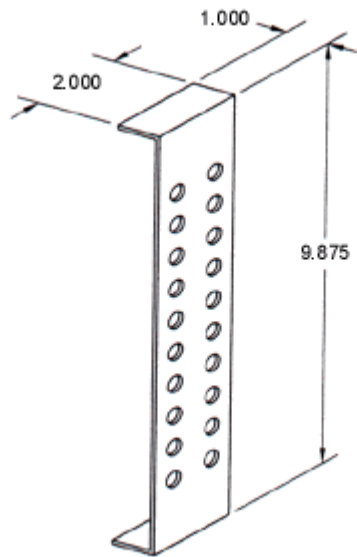
- Material: 0.125" Aluminum 5052-H32, ASTM B209
- Fiber optic feedthrough bracket
- Chemical conversion finish, MIL-C-5541
- Identification stamping available
- Shipping Weight 8 lbs per 100

© VT Milcom
Manufacturing Division
"Precision Craftsmanship Since 1981"

901 Professional Place
Chesapeake VA 23320
Phone: (757) 547-0202
Fax: (757) 548-2117

[Back to top](#)

Manufacturing Product Catalog



BRACKET, 20 POSITION, FIBER OPTIC MPN 820-5200-2-20"

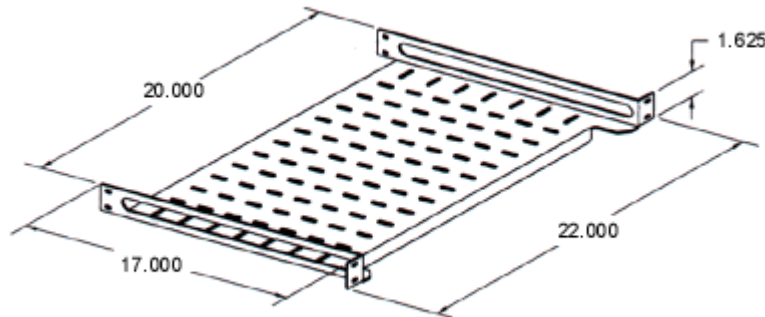
- Material: 0.125" Aluminum 5052-H32, ASTM B209
- Holds up to 20 fiber optic feed connectors
- Chemical conversion finish, MIL-C-5541
- Rubber stamped or silk-screened designators
- Shipping Weight 3 lbs per 10

© VT Milcom
Manufacturing Division
"Precision Craftsmanship Since 1981"

901 Professional Place
Chesapeake VA 23320
Phone: (757) 547-0202
Fax: (757) 548-2117

[Back to top](#)

Manufacturing Product Catalog



TRAY, FIBER MPN 820-5200-3-17"

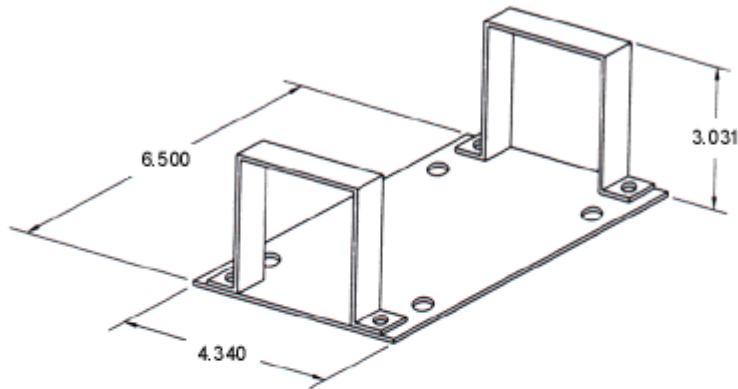
- Material: 1/8" Aluminum 5052-H32, ASTM B209
- Designed for use with the 5600 series Switch Enclosures
- Chemical conversion per MIL-C-5541
- Shipping Weight 5 lbs

© VT Milcom
Manufacturing Division
"Precision Craftsmanship Since 1981"

901 Professional Place
Chesapeake VA 23320
Phone: (757) 547-0202
Fax: (757) 548-2117

[Back to top](#)

Manufacturing Product Catalog



TRANSCEIVER FOUNDATION MPN 820-5300-1-1"

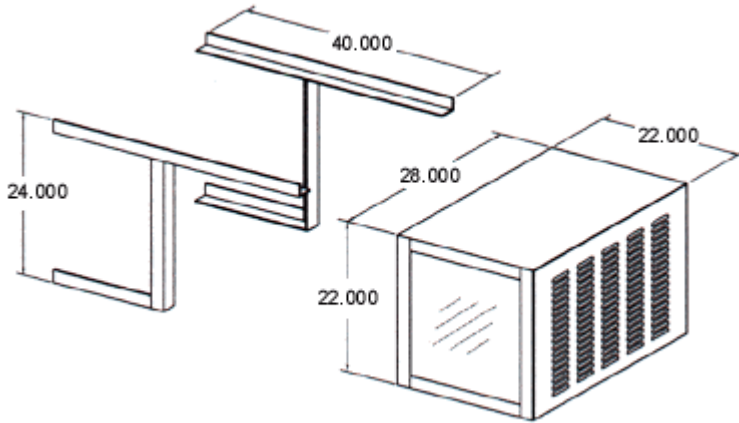
- Fits Fiber-Optic Transceivers
- Material: Aluminum 5052-H32, ASTM B209
- Primed/painted catalyzed enamel finish, FED STD 595, color 26307, gray
- Other custom sizes and units available, just call!

© VT Milcom
Manufacturing Division
"Precision Craftsmanship Since 1981"

901 Professional Place
Chesapeake VA 23320
Phone: (757) 547-0202
Fax: (757) 548-2117

[Back to top](#)

Manufacturing Product Catalog



HUB ENCLOSURE MMAC, WITH FOUNDATION MPN 820-5400-1-1''

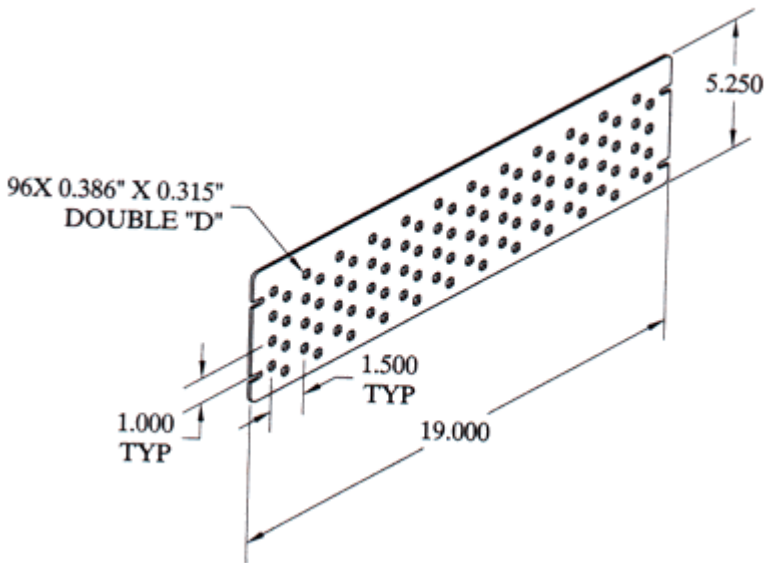
- Frame material: 2" x 2" x 0.190" Aluminum 6061-T6 ASTM B308
- Louvered, removable aluminum side panels for enhanced cooling
- Clear polycarbonate cover plate allows constant viewing of hub
- Primed/painted enamel finish, FED STD 595, color 26307, gray
- Other sizes available, just call!
- Shipping Weight 45 lbs

© VT Milcom
Manufacturing Division
"Precision Craftsmanship Since 1981"

901 Professional Place
Chesapeake VA 23320
Phone: (757) 547-0202
Fax: (757) 548-2117

[Back to top](#)

Manufacturing Product Catalog



PANEL, 96 PORT MPN 820-5500-1-96''

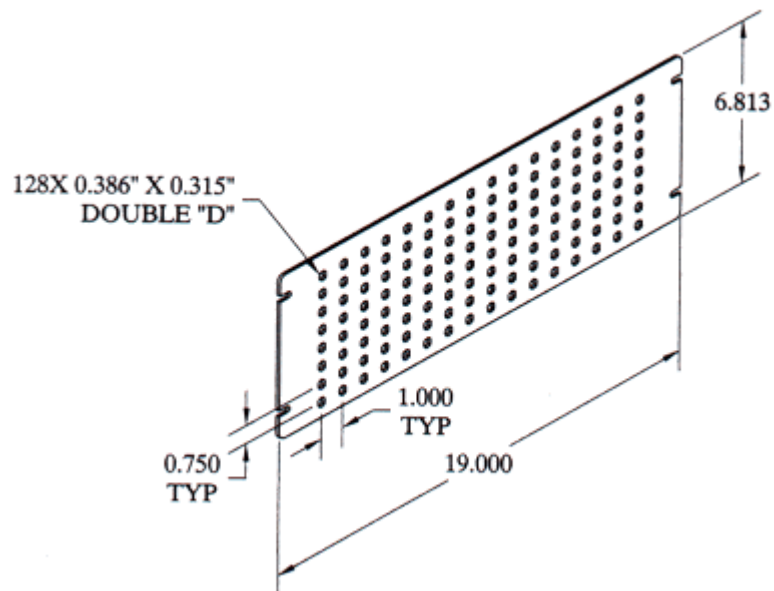
- Material: 1/8" A-36 steel
- 0.386" x 0.315" double dee hole pattern for fiber feedthrough
- Other sizes available, just call!
- Primed/painted catalyzed enamel finish, FED STD 595, color 26307, gray
- Silk-screened designation labels are also available
- Shipping Weight 6 lbs

© VT Milcom
Manufacturing Division
"Precision Craftsmanship Since 1981"

901 Professional Place
Chesapeake VA 23320
Phone: (757) 547-0202
Fax: (757) 548-2117

[Back to top](#)

Manufacturing Product Catalog



PANEL, 96 PORT MPN 820-5500-1-128"

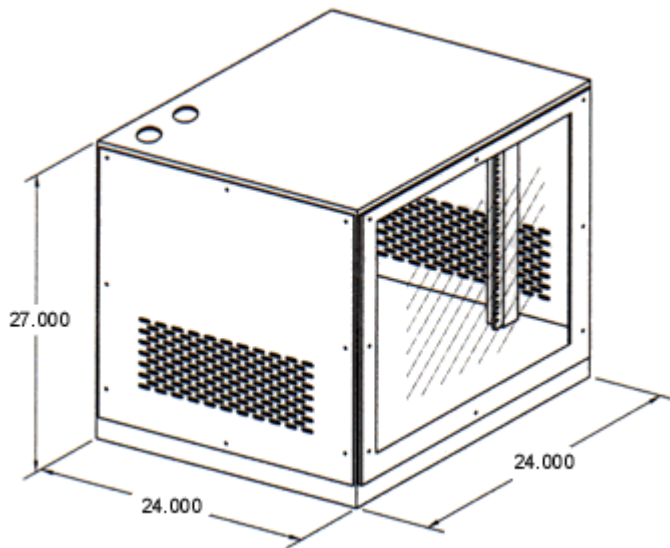
- Material: 1/8" A-36 steel
- 0.386" x 0.315" double dee hole pattern for fiber feedthrough
- Other sizes available, just call!
- Primed/painted catalyzed enamel finish, FED STD 595, color 26307, gray
- Silk-screened designation labels are also available
- Shipping Weight 6 lbs

© VT Milcom
Manufacturing Division
"Precision Craftsmanship Since 1981"

901 Professional Place
Chesapeake VA 23320
Phone: (757) 547-0202
Fax: (757) 548-2117

[Back to top](#)

Manufacturing Product Catalog



PANEL, 96 PORT MPN 820-5500-1-96''

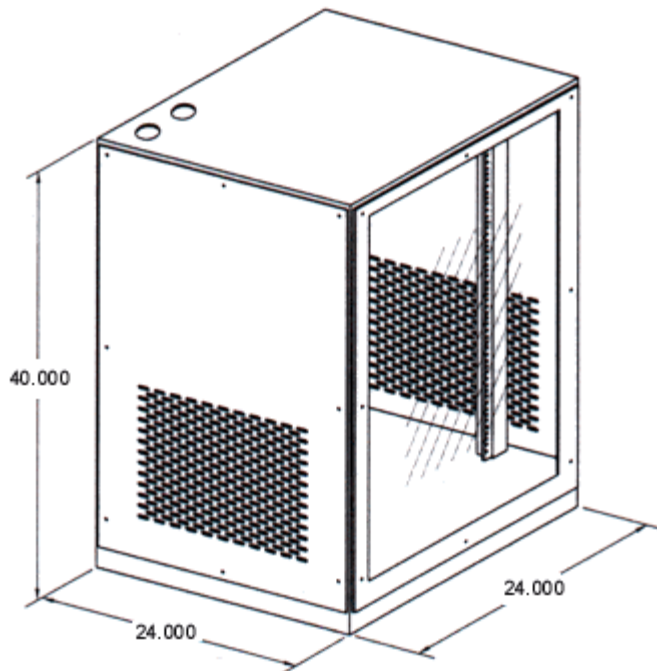
- Ideal for computer Fiber Optic Switch
- Material: 3/16" Aluminum construction
- MSC rails, MPN 820-5600-2-22, are available for your convenience
- Removable vented side panels
- 1/4" polycarbonate front panel
- Primer finish, painted upon request
- Shipping Weight 48 lbs

© VT Milcom
Manufacturing Division
"Precision Craftsmanship Since 1981"

901 Professional Place
Chesapeake VA 23320
Phone: (757) 547-0202
Fax: (757) 548-2117

[Back to top](#)

Manufacturing Product Catalog



ENCLOSURE, SWITCH MPN 820-5600-1-40

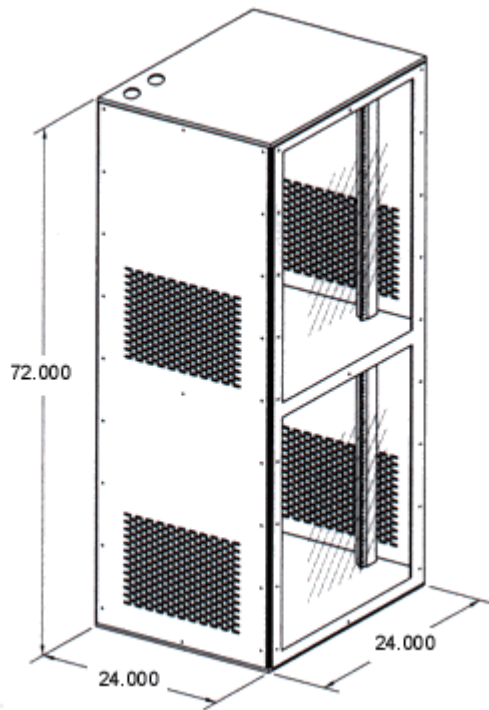
- Ideal for a computer Fiber Optic Switch
- Material: 3/16" Aluminum
- MSC rails, MPN 820-5600-2-35, are available for your convenience
- Other sizes available, just call!
- Welded IAW MIL-STD-1688/89
- Primer Finish, Painted upon request
- Shipping Weight 55 lbs

© VT Milcom
Manufacturing Division
"Precision Craftsmanship Since 1981"

901 Professional Place
Chesapeake VA 23320
Phone: (757) 547-0202
Fax: (757) 548-2117

[Back to top](#)

Manufacturing Product Catalog



ENCLOSURE, SWITCH MPN 820-5600-1-72

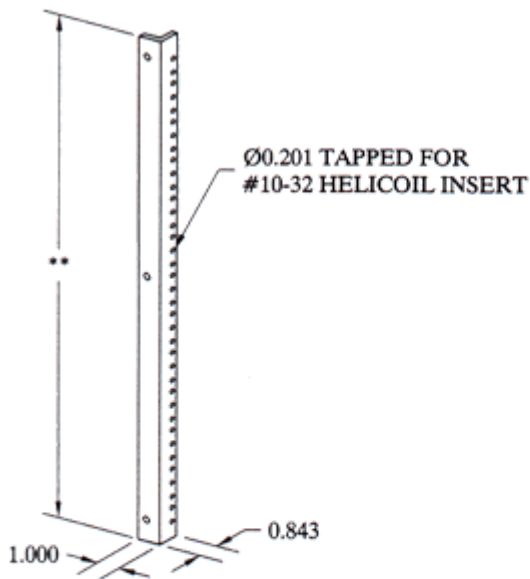
- Ideal for a computer Fiber Optic Switch
- Material: 3/16" Aluminum
- MSC rails, MPN 820-5600-2-33, are available for your convenience
- Welded IAW MIL-STD-1688/89
- Primed/painted catalyzed enamel finish, FED STD 595, color 26307, gray
- Shipping Weight 95 lbs

© VT Milcom
Manufacturing Division
"Precision Craftsmanship Since 1981"

901 Professional Place
Chesapeake VA 23320
Phone: (757) 547-0202
Fax: (757) 548-2117

[Back to top](#)

Manufacturing Product Catalog



FOR	ORDER	PART #
MPN 820-		
5600-1-27	1 PAIR	-22
5600-1-40	1 PAIR	-35
5600-1-72	1 PAIR EA	-33 & -35

RAIL, EQUIPMENT MOUNTING, PAIR MPN 820-5600-2-**

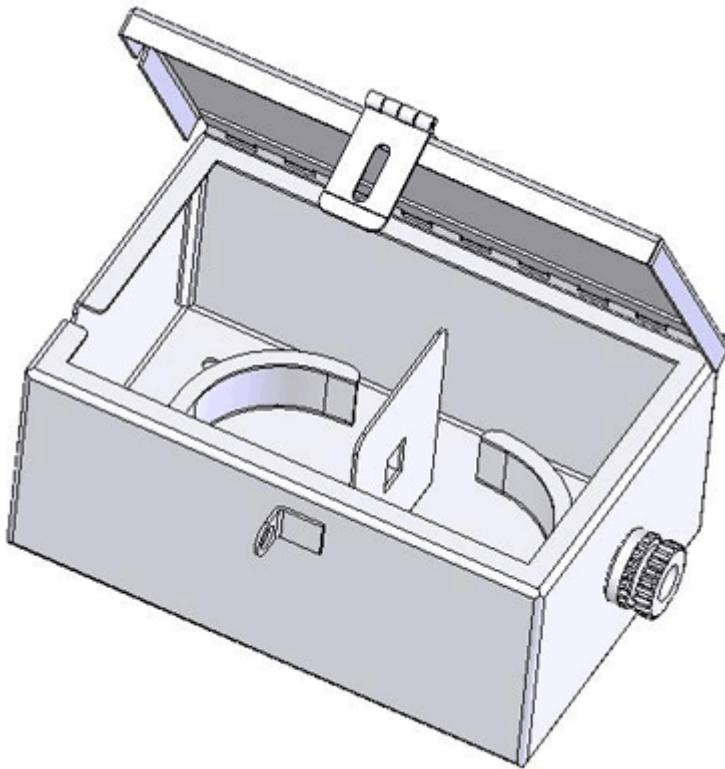
- Material: 1" x 1" x 1/4" Aluminum angle
- Drilled for EIA rack mount hole pattern
- #10-32 stainless, locking, threaded inserts
- Iridite finish IAW MIL-C-5541
- Shipping Weight 10 lbs

© VT Milcom
Manufacturing Division
"Precision Craftsmanship Since 1981"

901 Professional Place
Chesapeake VA 23320
Phone: (757) 547-0202
Fax: (757) 548-2117

[Back to top](#)

Manufacturing Product Catalog



CAT-5 SECURE BOX, STANDARD MPN 820-5700-1-1

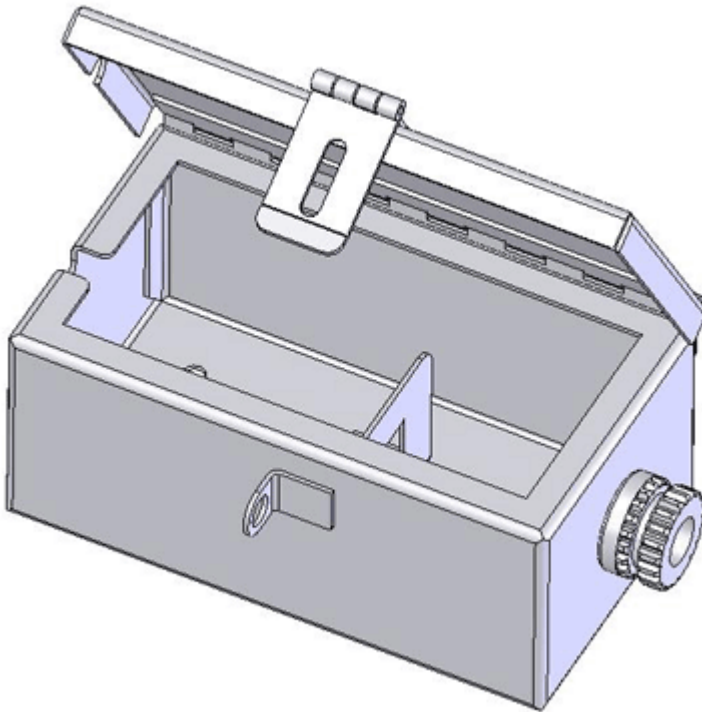
- Dimensions: 9.125" L x 6.000" W x 4.125" H
- Material: 0.074" steel, OSS, A-36
- Primed/painted catalyzed enamel finish, FED STD 595, color 26307, gray
- Other custom sizes and units available, just call!!

© VT Milcom
Manufacturing Division
"Precision Craftsmanship Since 1981"

901 Professional Place
Chesapeake VA 23320
Phone: (757) 547-0202
Fax: (757) 548-2117

[Back to top](#)

Manufacturing Product Catalog



CAT-5 SECURE BOX, MODIFIED MPN 820-5700-2-1

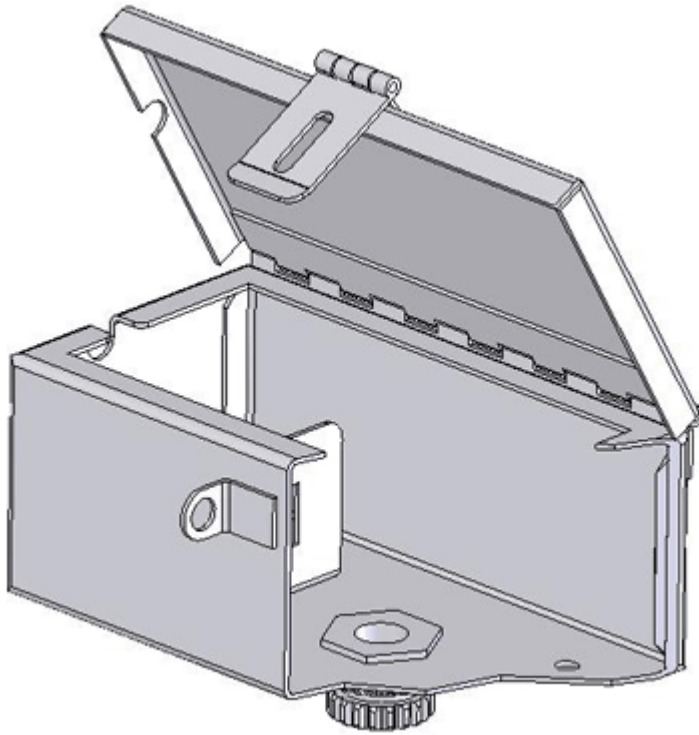
- Dimensions: 7.125" L x 4.000" W x 3.125" H
- Material: 0.074" steel, OSS, A-36
- Primed/painted catalyzed enamel finish, FED STD 595, color 26307, gray
- Other custom sizes and units available, just call!!

© VT Milcom
Manufacturing Division
"Precision Craftsmanship Since 1981"

901 Professional Place
Chesapeake VA 23320
Phone: (757) 547-0202
Fax: (757) 548-2117

[Back to top](#)

Manufacturing Product Catalog



CAT-5 SECURE BOX, MODIFIED MPN 820-5700-2-2

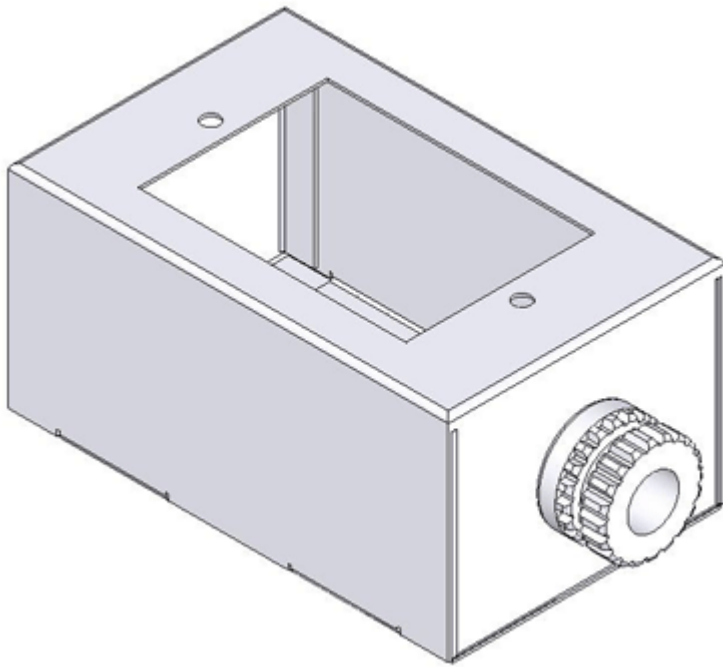
- Dimensions: 7.125" L x 4.000" W x 3.125" H
- Material: 0.074" steel, OSS, A-36
- Primed/painted catalyzed enamel finish, FED STD 595, color 26307, gray
- Other custom sizes and units available, just call!!

© VT Milcom
Manufacturing Division
"Precision Craftsmanship Since 1981"

901 Professional Place
Chesapeake VA 23320
Phone: (757) 547-0202
Fax: (757) 548-2117

[Back to top](#)

Manufacturing Product Catalog



MARINE DATA DROP BOX MPN 820-5800-1-1

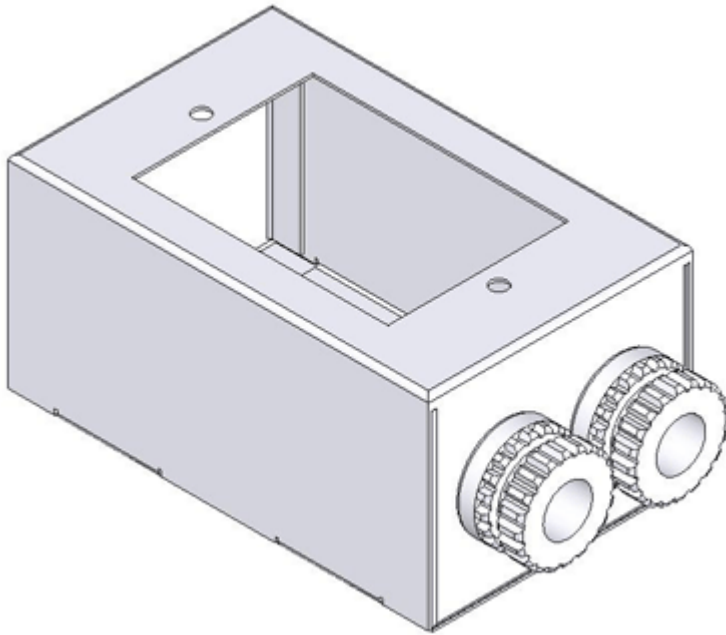
- Dimensions: 4.650" x 2.92.0" x 2.275"
- Material: 0.030" stainless steel, type 304 construction
- hole sizes can be changed on request based on option selected
- Raw finish
- Other sizes available, just call!!
 - * PLACE OPTION DESIGNATION HERE
 - OPTION 1 = 0.750" DIA. HOLE
 - OPTION 2 = 0.875" DIA. HOLE

© VT Milcom
Manufacturing Division
"Precision Craftsmanship Since 1981"

901 Professional Place
Chesapeake VA 23320
Phone: (757) 547-0202
Fax: (757) 548-2117

[Back to top](#)

Manufacturing Product Catalog



MARINE DATA DROP BOX MPN 820-5800-1-2

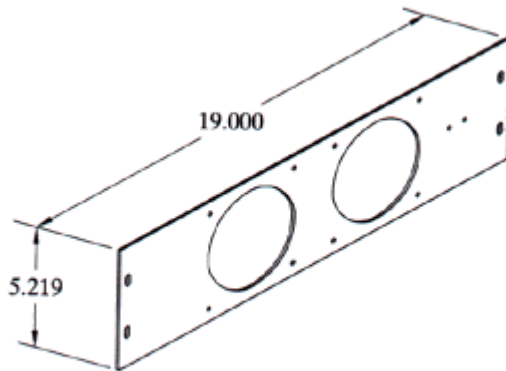
- Dimensions: 4.650" x 2.92.0" x 2.275"
- Material: 0.030" stainless steel, type 304 construction
- Hole sizes can be changed on request based on option selected
- Raw finish
- Other sizes available, just call!!
 - * PLACE OPTION DESIGNATION HERE
 - OPTION 1 = 0.750" DIA. HOLE
 - OPTION 2 = 0.875" DIA. HOLE

© VT Milcom
Manufacturing Division
"Precision Craftsmanship Since 1981"

901 Professional Place
Chesapeake VA 23320
Phone: (757) 547-0202
Fax: (757) 548-2117

[Back to top](#)

Manufacturing Product Catalog



PANEL, VENTILATION FAN, RACK MOUNT MPN 820-6100-1-2

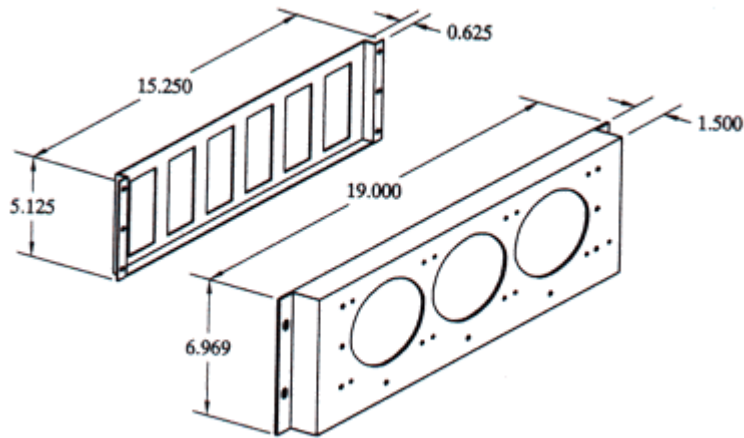
- Ideal for Standard 19" Equipment Rack
- Material: 0.125" Aluminum 5052-H3, ASTM B209
- Designed for exhaust fans to ventilate equipment racks
- Other sizes available, just call!
- Prime/painted catalyzed enamel finish, FED STD 595, color 26307, gray
- Shipping Weight 3 lbs

© VT Milcom
Manufacturing Division
"Precision Craftsmanship Since 1981"

901 Professional Place
Chesapeake VA 23320
Phone: (757) 547-0202
Fax: (757) 548-2117

[Back to top](#)

Manufacturing Product Catalog



PANEL, FAN, RACK MOUNT, INTAKE MPN 820-6100-2-3

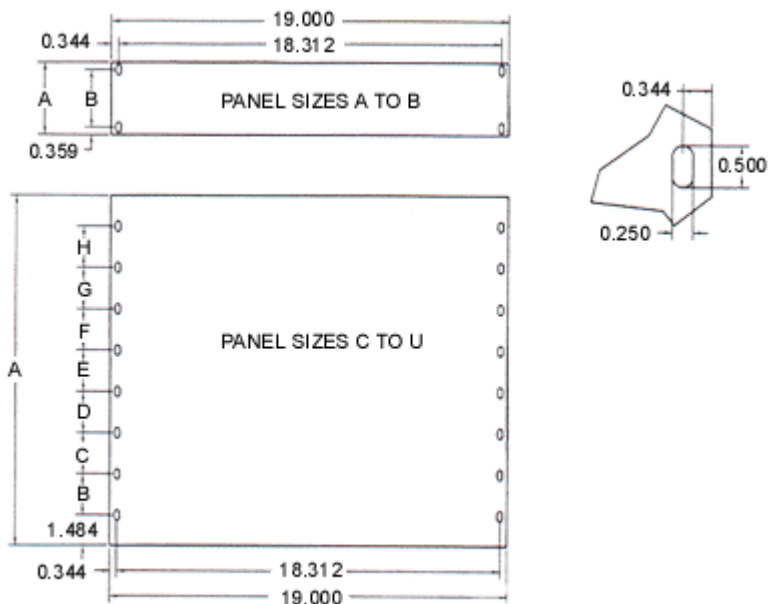
- Ideal for Standard 19" Equipment Rack
- Fan mount material: 0.125" Aluminum 5052-H3, ASTM B209
- Filter bracket material: 0.063" A-36 steel
- Contains removable filter
- Other sizes available, just call!
- Prime/painted catalyzed enamel finish, FED STD 595, color 26307, gray
- Shipping Weight 5 lbs

© VT Milcom
Manufacturing Division
"Precision Craftsmanship Since 1981"

901 Professional Place
Chesapeake VA 23320
Phone: (757) 547-0202
Fax: (757) 548-2117

[Back to top](#)

Manufacturing Product Catalog



PANEL, EIA, RACK MOUNTING MPN 820-6200-1-*

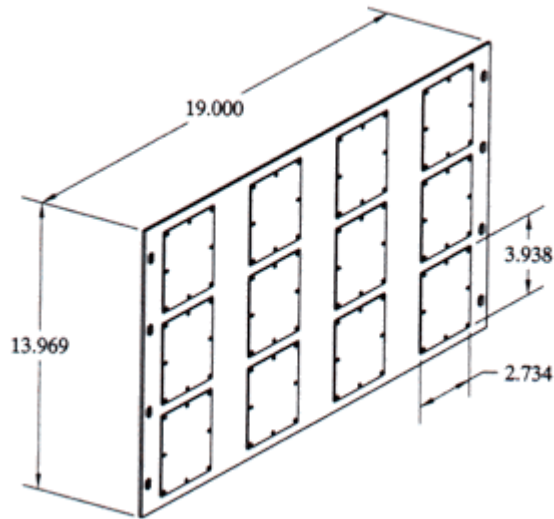
- Material: 0.190" Aluminum 5052-H3, ASTM B209
- Prime/painted catalyzed enamel finish, FED STD 595, color 26307, gray
- Also available in 24"

© VT Milcom
Manufacturing Division
"Precision Craftsmanship Since 1981"

901 Professional Place
Chesapeake VA 23320
Phone: (757) 547-0202
Fax: (757) 548-2117

[Back to top](#)

Manufacturing Product Catalog



PANEL, MULTI-PURPOSE, I/O MPN 820-6300-1-19

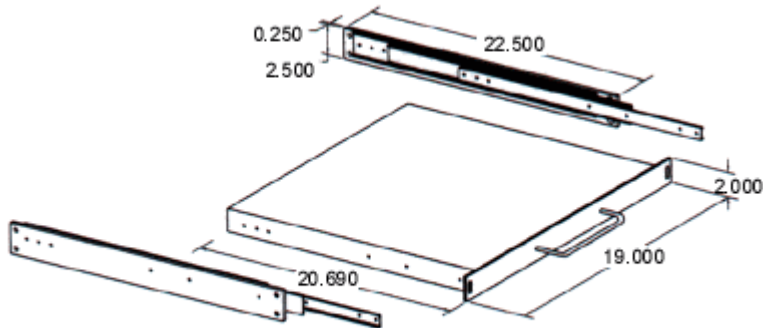
- Ideal for Standard 19" Equipment Rack
- Material: 0.125" Aluminum 5052-H3, ASTM B209
- Standard "H" panel with 12 I/O cover panels
- Other sizes available, just call!
- Prime/painted catalyzed enamel finish, FED STD 595, color 26307, gray
- Shipping Weight 5 lbs

© VT Milcom
Manufacturing Division
"Precision Craftsmanship Since 1981"

901 Professional Place
Chesapeake VA 23320
Phone: (757) 547-0202
Fax: (757) 548-2117

[Back to top](#)

Manufacturing Product Catalog



TRAY, RACK MOUNT, SLIDE MPN 820-6400-1-19

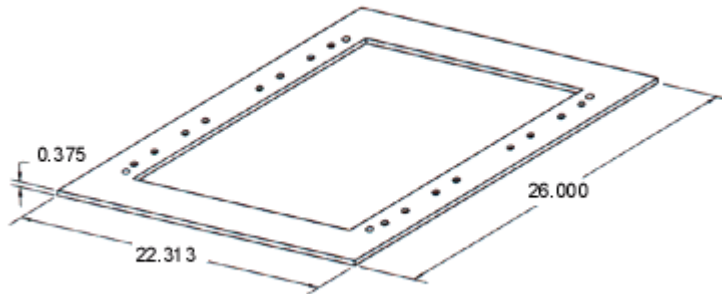
- Ideal for Standard 19" Equipment Rack
- Aluminum construction, chrome handle
- Gray or black front panel
- Kitted with all hardware and 20" locking equipment slides
- Chemical conversion per MIL-C-5541
- Shipping Weight 10 lbs

© VT Milcom
Manufacturing Division
"Precision Craftsmanship Since 1981"

901 Professional Place
Chesapeake VA 23320
Phone: (757) 547-0202
Fax: (757) 548-2117

[Back to top](#)

Manufacturing Product Catalog



BASEPLATE, RACK ADAPTER MPN 820-6500-1-26

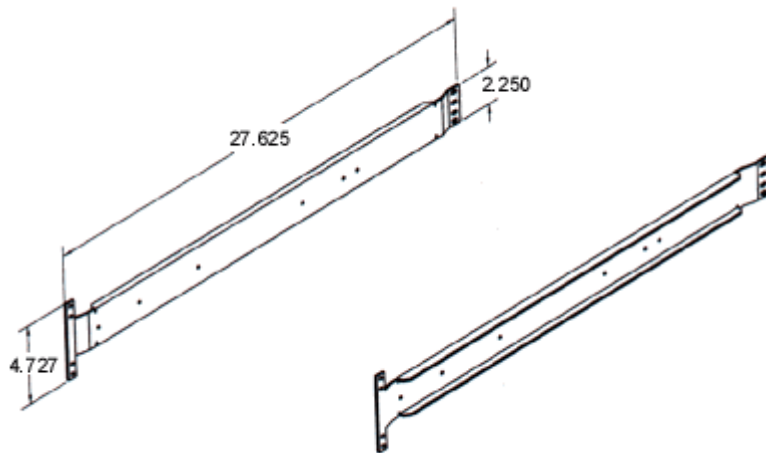
- Ideal for Standard 19" Equipment Rack
- Material: 0.375" Aluminum 6061-T6, ASTM B209, flat bar
- Punched for shock isolator mounts
- Other sizes available, just call!
- Chemical conversion per MIL-C-5541
- Shipping Weight 25 lbs

© VT Milcom
Manufacturing Division
"Precision Craftsmanship Since 1981"

901 Professional Place
Chesapeake VA 23320
Phone: (757) 547-0202
Fax: (757) 548-2117

[Back to top](#)

Manufacturing Product Catalog



RAIL, SLIDE MPN 820-6600-1-1

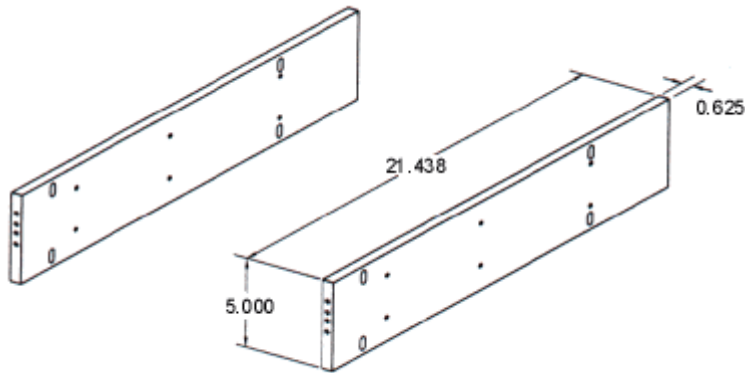
- Ideal for Standard 19" Equipment Rack
- Material: 0.090" Aluminum 5052-H32, ASTM B209
- Designed to utilize 22" equipment slides
- Chemical conversion per MIL-C-5541
- Shipping Weight 5 lbs

© VT Milcom
Manufacturing Division
"Precision Craftsmanship Since 1981"

901 Professional Place
Chesapeake VA 23320
Phone: (757) 547-0202
Fax: (757) 548-2117

[Back to top](#)

Manufacturing Product Catalog



RAIL, SLIDE, HEAVY DUTY MPN 820-6600-2-1

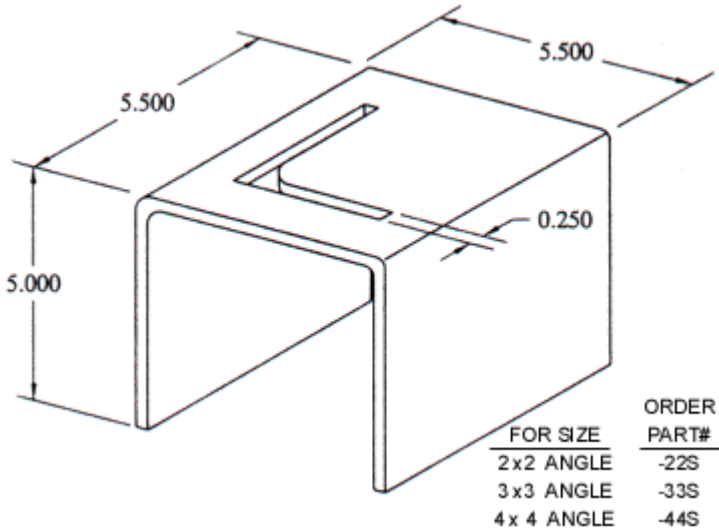
- Material: 0.625" Aluminum 6061-T6, ASTM B209
- Designed to R-2368 Environmental Racks
- Drilled and tapped for equipment slides
- Chemical conversion per MIL-C-5541
- Shipping Weight 15 lbs

© VT Milcom
Manufacturing Division
"Precision Craftsmanship Since 1981"

901 Professional Place
Chesapeake VA 23320
Phone: (757) 547-0202
Fax: (757) 548-2117

[Back to top](#)

Manufacturing Product Catalog



SLIP JOINT FOUNDATION, STEEL MPN 820-7100-1-***

- Material: 1/4" A-36 Steel
- Pre-punched for your convenience
- Other sizes available, just call!
- These components are provided as a pair
- Primer Finish, Painted upon request

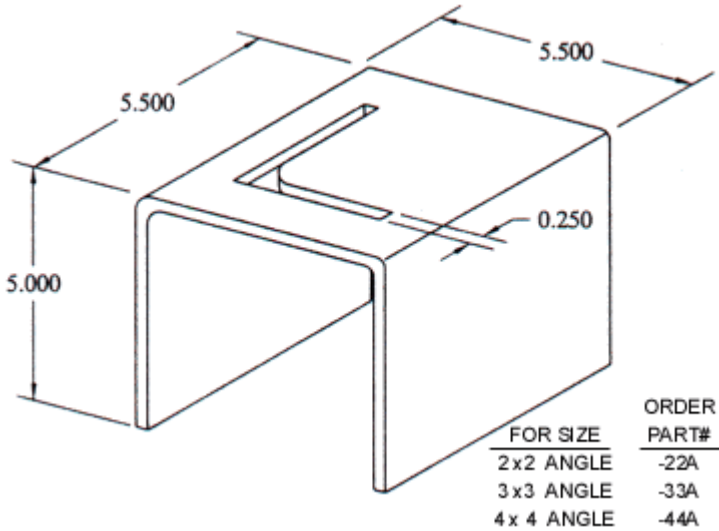
FOR SIZE	ORDER PART #
2x2 Angle	— 22S
3x3 Angle	— 33S
4x4 Angle	— 44S

© VT Milcom
 Manufacturing Division
"Precision Craftsmanship Since 1981"

901 Professional Place
 Chesapeake VA 23320
 Phone: (757) 547-0202
 Fax: (757) 548-2117

[Back to top](#)

Manufacturing Product Catalog



SLIP JOINT FOUNDATION, Aluminum MPN 820-7100-1-XXX

- Material: 1/4" Aluminum, ASTM B209
- Pre-punched for your convenience
- Other sizes available, just call!
- These components are provided as a pair
- Primer Finish, Painted upon request
- Immediate availability

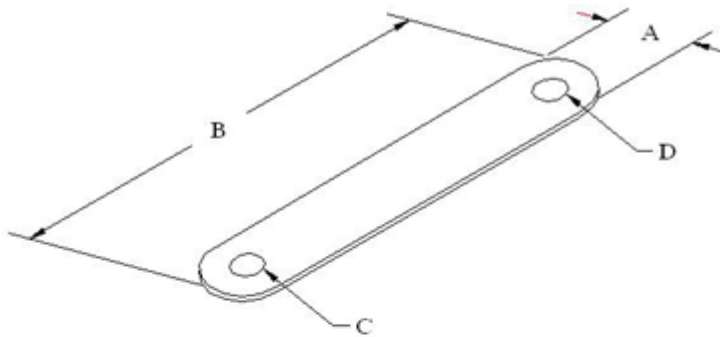
SIZE	PART #
2x2 Angle	— 22A
3x3 Angle	— 33A
4x4 Angle	— 44A

© VT Milcom
 Manufacturing Division
"Precision Craftsmanship Since 1981"

901 Professional Place
 Chesapeake VA 23320
 Phone: (757) 547-0202
 Fax: (757) 548-2117

[Back to top](#)

Manufacturing Product Catalog



820-7200-2-A-B-C-D

A	WIDTH DIMENSION
B	LENGTH DIMENSION
C	HOLE DIAMETER
D	HOLE DIAMETER

HOLE DIAMETERS	
0	CLEARANCE OTHER THAN LISTED
1	10-32 CLEARANCE, 0.218"
2	1/4-20 CLEARANCE, 0.281"
3	5/16-18 CLEARANCE, 0.343"
4	3/8-16 CLEARANCE, 0.406"

TYPE II GROUND/BOND STRAP MPN 820-7200-2-A-B-C-D

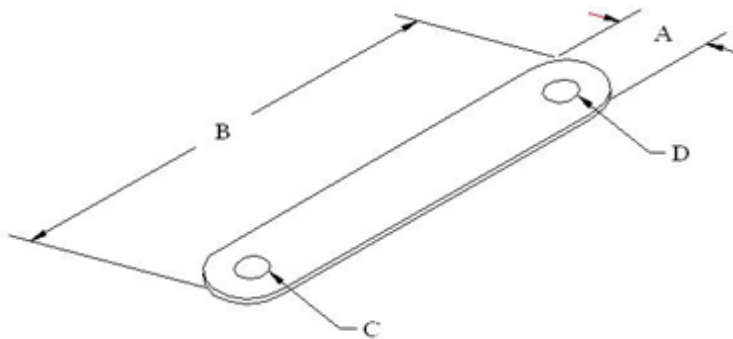
- Material: 0.024" CRES type 316 (stainless steel), QQ-S-763
- Punched per customer's specifications
- Meets requirements of MIL-STD-1310F
- Rounded corners for safety

© VT Milcom
Manufacturing Division
"Precision Craftsmanship Since 1981"

901 Professional Place
Chesapeake VA 23320
Phone: (757) 547-0202
Fax: (757) 548-2117

[Back to top](#)

Manufacturing Product Catalog



820-7200-3-A-B-C-D

A	WIDTH DIMENSION
B	LENGTH DIMENSION
C	HOLE DIAMETER
D	HOLE DIAMETER

HOLE DIAMETERS	
0	CLEARANCE OTHER THAN LISTED
1	10-32 CLEARANCE, 0.218"
2	1/4-20 CLEARANCE, 0.281"
3	5/16-18 CLEARANCE, 0.343"
4	3/8-16 CLEARANCE, 0.406"

TYPE III GROUND/BOND STRAP MPN 820-7200-3-A-B-C-D

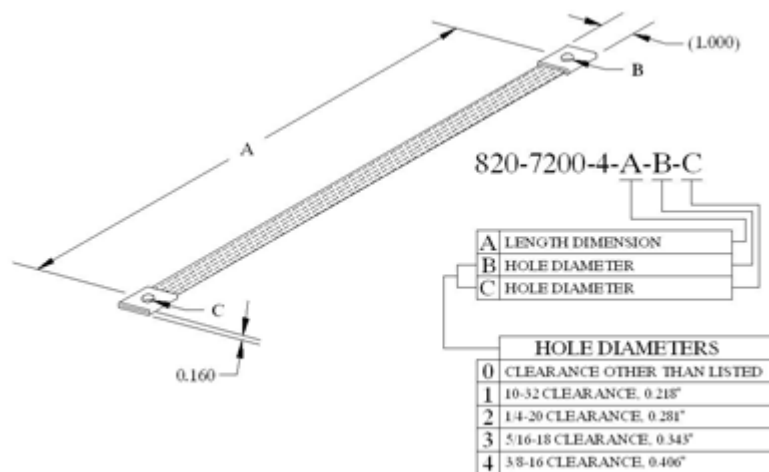
- Material: 0.027" copper sheet, 110 alloy, ASTM-B-152
- Zinc plated finish
- Punched per customer's specifications
- Meets requirements of MIL-STD-1310F
- Rounded corners for safety

© VT Milcom
 Manufacturing Division
"Precision Craftsmanship Since 1981"

901 Professional Place
 Chesapeake VA 23320
 Phone: (757) 547-0202
 Fax: (757) 548-2117

[Back to top](#)

Manufacturing Product Catalog



TYPE IV GROUND/BOND FLEX STRAP MPN 820-7200-4-A-B-C

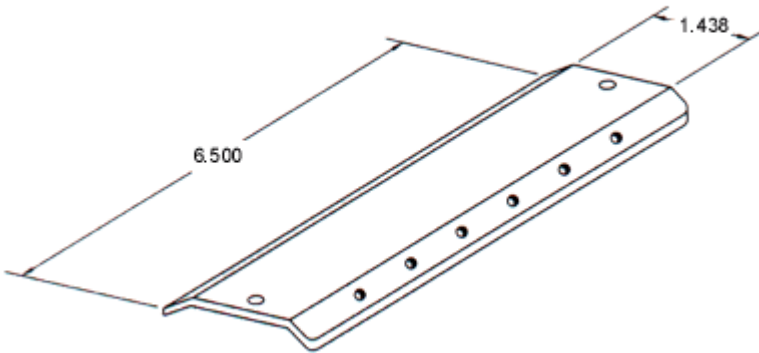
- Material: flat copper brian QQ-B-575
- Zinc plated finish
- Punched per customer's specifications
- Meets requirements of MIL-STD-1310F

© VT Milcom
Manufacturing Division
"Precision Craftmanship Since 1981"

901 Professional Place
Chesapeake VA 23320
Phone: (757) 547-0202
Fax: (757) 548-2117

[Back to top](#)

Manufacturing Product Catalog



TERMINAL BOARD GROUND BUS PAD MPN 820-7300-1-12

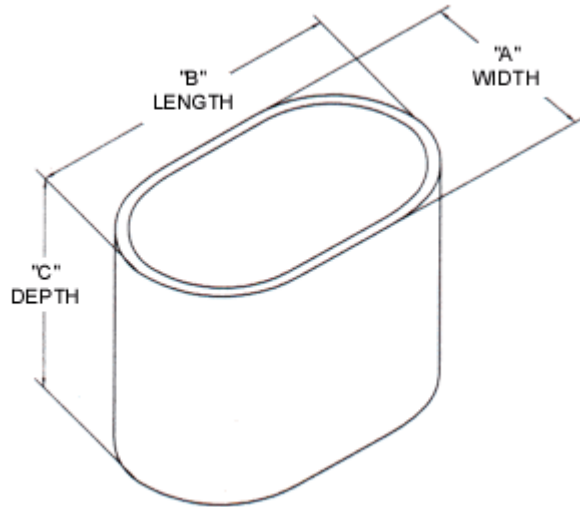
- Material: 0.125" copper sheet, 110 alloy
- Size 6.5"x2.063" for 12-terminal block
- Tapped for #10-32 hardware
- Other sizes available, just call!
- Rounded corners for safety

© VT Milcom
Manufacturing Division
"Precision Craftsmanship Since 1981"

901 Professional Place
Chesapeake VA 23320
Phone: (757) 547-0202
Fax: (757) 548-2117

[Back to top](#)

Manufacturing Product Catalog



RING, CHAFFING MPN 820-74**-***

- Primer finish

WALL THICKNESS	
7400	.187" - 3/16"
7405	.250" - 1/4"
7410	.312" - 5/16"
7415	.375" - 3/8"
7420	.500" - 1/2"

	WIDTH (inches)	LENGTH (inches)	DEPTH (inches)
ITEM	"A"	"B"	"C"
01	3	6	4
02	3	6	6
03	3	6	8
04	3	6	10
05	3	8	4
06	3	8	6
07	3	8	8
08	3	6	10

09	3	10	4
10	3	10	6
11	3	10	8
12	3	10	10
13	4	6	4
14	4	6	6
15	4	6	8
16	4	6	10
17	4	8	4
18	4	8	6
19	4	8	8
20	4	8	10
21	4	10	4
22	4	10	6
23	4	10	8
24	4	10	10
25	6	6	4
26	6	6	6
27	6	6	8
28	6	6	10
29	6	8	4
30	6	8	6
31	6	8	8
32	6	8	10
33	6	10	4
34	6	10	6
35	6	10	8
36	6	10	10

A = Aluminum, QQ-A-200, ASTM B209
S = STEEL, ASTM A36

EXAMPLES

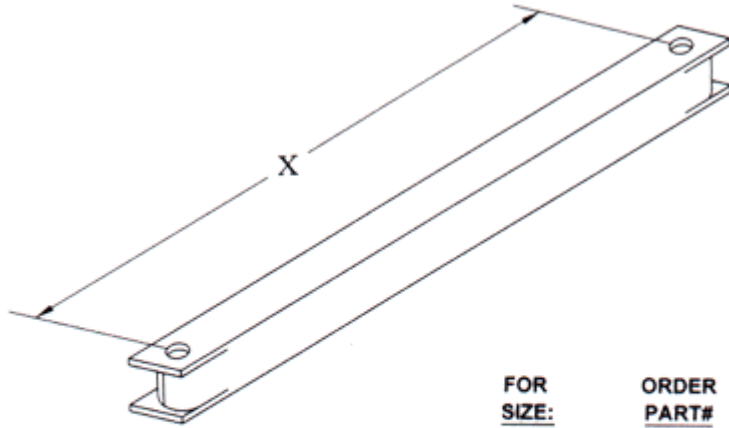
MPN 820-7405-24A is a 1/4" thick, 4" x10" x10" aluminum chaffing ring
MPN 820-7420-5S is a 1/2" thick, 3" x8" x4" steel chaffing ring

© VT Milcom
Manufacturing Division
"Precision Craftsmanship Since 1981"

901 Professional Place
Chesapeake VA 23320
Phone: (757) 547-0202
Fax: (757) 548-2117

[Back to top](#)

Manufacturing Product Catalog



<u>FOR SIZE:</u>	<u>ORDER PART#</u>
6"	-06
8"	-08
10"	-10
12"	-12
14"	-14
16"	-16
18"	-18

HANGER, CABLE, TUBING MPN 820-7600-1-*

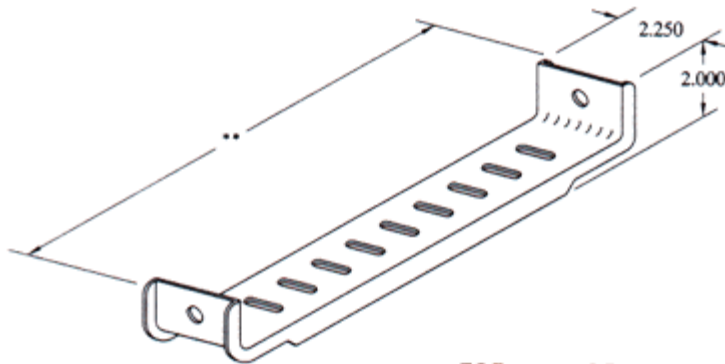
- Material: 1" x1" x.063 square steel tubing A-36
- Pre-drilled with $\text{Ø}0.406$ " mounting holes for your convenience
- Other sizes available, just call!
- Primer Finish, Painted upon request

© VT Milcom
Manufacturing Division
"Precision Craftsmanship Since 1981"

901 Professional Place
Chesapeake VA 23320
Phone: (757) 547-0202
Fax: (757) 548-2117

[Back to top](#)

Manufacturing Product Catalog



<u>FOR SIZE:</u>	<u>ORDER PART#</u>
6"	-06
8"	-08
10"	-10
12"	-12
14"	-14
16"	-16
18"	-18
24"	-24

HANGER, WIREWAY, STEEL MPN 820-7600-2-**

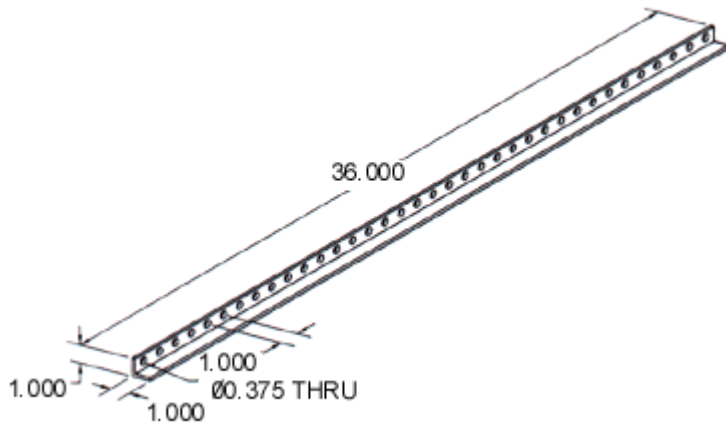
- Material: Steel, ASTM A36
- Slot size 1/4" x 1"
- Primed
- Other sizes available, just call!

© VT Milcom
Manufacturing Division
"Precision Craftsmanship Since 1981"

901 Professional Place
Chesapeake VA 23320
Phone: (757) 547-0202
Fax: (757) 548-2117

[Back to top](#)

Manufacturing Product Catalog



ANGLE, CABLE HANGER MPN 820-7600-3-36

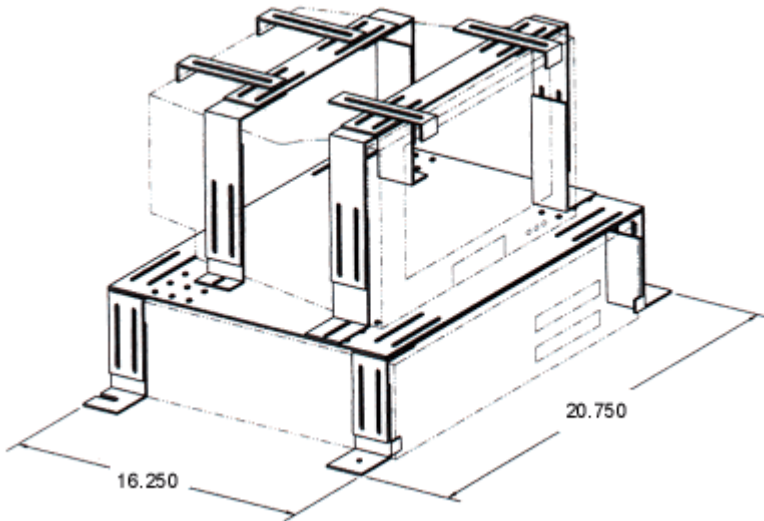
- Material: 0.188" A-36 Steel
- 3/8" holes on 1" centers for cable hanger mounting
- Primer Finish, Painted upon request
- Shipping Weight 5 lbs

© VT Milcom
Manufacturing Division
"Precision Craftsmanship Since 1981"

901 Professional Place
Chesapeake VA 23320
Phone: (757) 547-0202
Fax: (757) 548-2117

[Back to top](#)

Manufacturing Product Catalog



COMPUTER MOUNT, UNIVERSAL MPN 820-8100-1-1

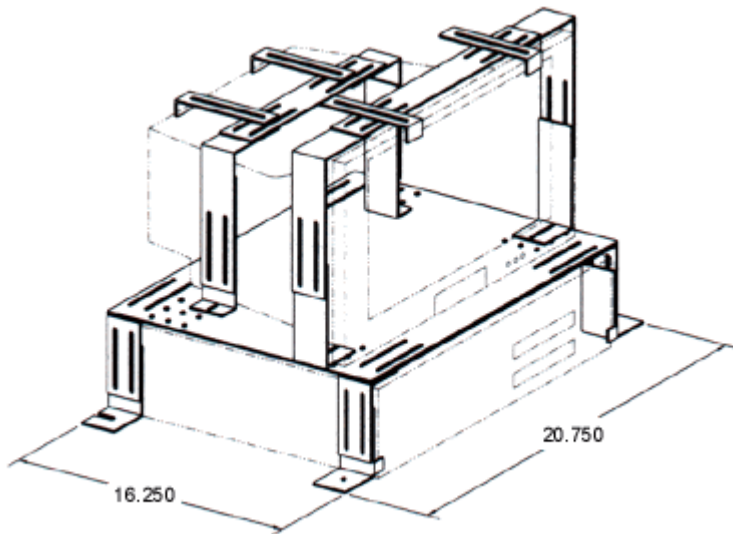
- Ideal for mounting desktop PC's
- Accommodates up to 15" Monitors
- Material: CR Steel, ASTM A36
- Powder coated black; other colors available upon request
- Kit packaged for your convenience
- Shipping Weight 18 lbs

© VT Milcom
Manufacturing Division
"Precision Craftsmanship Since 1981"

901 Professional Place
Chesapeake VA 23320
Phone: (757) 547-0202
Fax: (757) 548-2117

[Back to top](#)

Manufacturing Product Catalog



COMPUTER MOUNT, UNIVERSAL MPN 820-8100-1-2

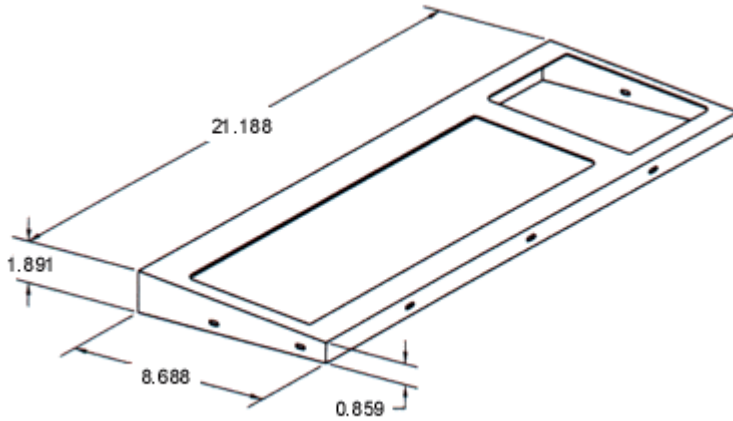
- Ideal for mounting desktop PC's
- Accommodates up to 17" Monitors
- Material: CR Steel, ASTM A36
- Powder coated black; other colors available upon request
- Kit packaged for your convenience
- Shipping Weight 19 lbs

© VT Milcom
Manufacturing Division
"Precision Craftsmanship Since 1981"

901 Professional Place
Chesapeake VA 23320
Phone: (757) 547-0202
Fax: (757) 548-2117

[Back to top](#)

Manufacturing Product Catalog



TRAY, KEYBOARD/TRACKBALL MPN 820-8200-1-1

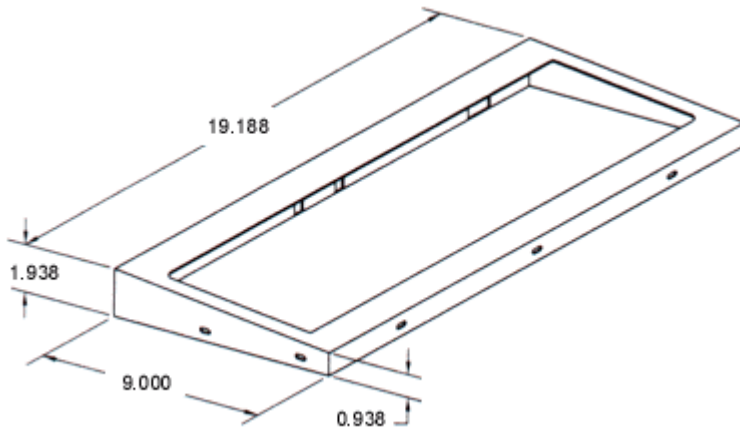
- Ideal for mounting standard 101 Key IBM compatible Keyboards and Trackball Units
- Material: 0.063" Steel, ASTM A36
- Primed/painted catalyzed enamel finish, FED STD 595, color 26307 gray
- Other colors available upon request
- Kit packaged for your convenience
- Shipping Weight 8 lbs

© VT Milcom
Manufacturing Division
"Precision Craftsmanship Since 1981"

901 Professional Place
Chesapeake VA 23320
Phone: (757) 547-0202
Fax: (757) 548-2117

[Back to top](#)

Manufacturing Product Catalog



TRAY, KEYBOARD MOUNTING MPN 820-8200-2-1

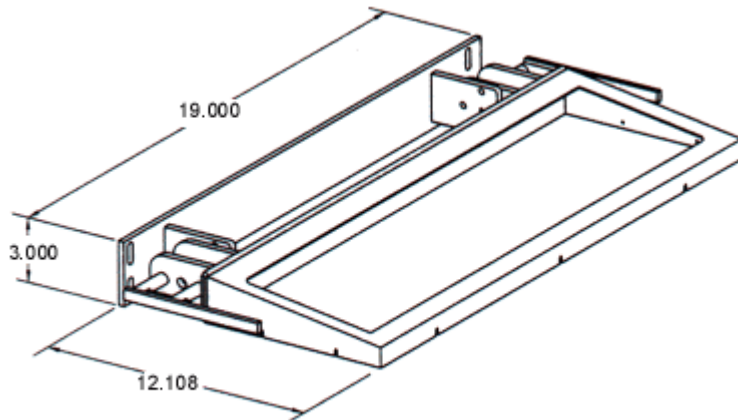
- Ideal for mounting standard 101 Key IBM compatible Keyboards
- Material: CR Steel, ASTM A36
- Primed/painted catalyzed enamel finish, FED STD 595, color 26307 gray
- Other colors available upon request
- Kit packaged for your convenience
- Shipping Weight 8 lbs

© VT Milcom
Manufacturing Division
"Precision Craftsmanship Since 1981"

901 Professional Place
Chesapeake VA 23320
Phone: (757) 547-0202
Fax: (757) 548-2117

[Back to top](#)

Manufacturing Product Catalog



TRAY, TILTING KEYBOARD MPN 820-8200-3-1

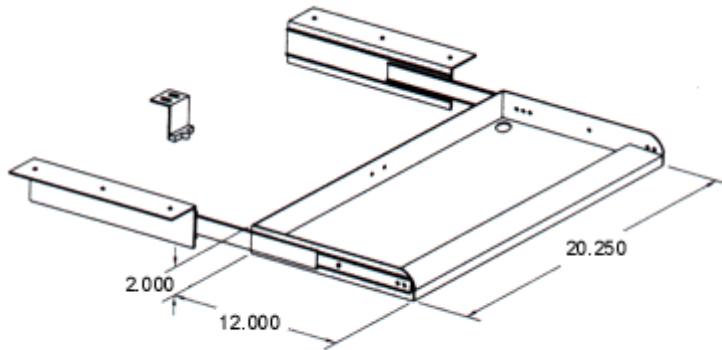
- Ideal for mounting standard 101 Key IBM compatible Keyboards
- Locks in a working and stowed positions
- Material: CR Steel, ASTM A36 & Aluminum 5052-H32, ASTM B209
- Primed/painted catalyzed enamel finish, FED STD 595, color 26307 gray
- 19" rack mountable
- Kit packaged for your convenience
- Shipping Weight 12 lbs

© VT Milcom
Manufacturing Division
"Precision Craftsmanship Since 1981"

901 Professional Place
Chesapeake VA 23320
Phone: (757) 547-0202
Fax: (757) 548-2117

[Back to top](#)

Manufacturing Product Catalog



TRAY, PALMREST, KEYBOARD MPN 820-8200-4-20

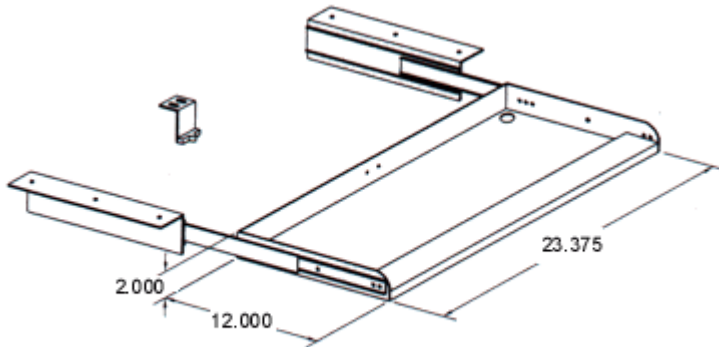
- Ideal for mounting standard 101 Key IBM compatible Keyboards
- Can be utilized with MPN 820-2100 series Workstations
- Material: CR Steel, ASTM A36 & Aluminum 5052-H32, ASTM B209
- Primed/painted catalyzed enamel finish, FED STD 595, color 26307 gray
- Other colors available upon request
- Kit packaged for your convenience
- Shipping Weight 12 lbs

© VT Milcom
Manufacturing Division
"Precision Craftsmanship Since 1981"

901 Professional Place
Chesapeake VA 23320
Phone: (757) 547-0202
Fax: (757) 548-2117

[Back to top](#)

Manufacturing Product Catalog



TRAY, PALMREST, KEYBOARD/TRACKBALL MPN 820-8200-4-24

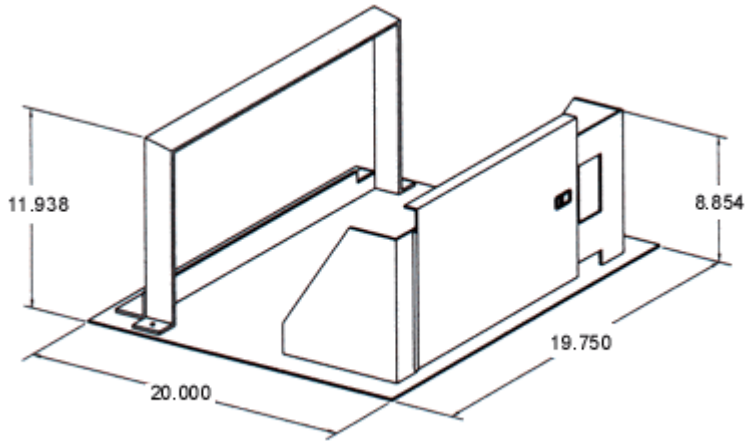
- Ideal for mounting standard 101 Key IBM compatible Keyboards and Trackball Units
- Can be utilized with MPN 820-2100 series Workstations
- Material: CR Steel, ASTM A36 & Aluminum 5052-H32, ASTM B209
- Primed/painted catalyzed enamel finish, FED STD 595, color 26307 gray
- Other colors available upon request
- Kit packaged for your convenience
- Shipping Weight 12 lbs

© VT Milcom
Manufacturing Division
"Precision Craftsmanship Since 1981"

901 Professional Place
Chesapeake VA 23320
Phone: (757) 547-0202
Fax: (757) 548-2117

[Back to top](#)

Manufacturing Product Catalog



RUGGEDIZED PRINTER MOUNT, LJ4 MPN 820-8300-4-1

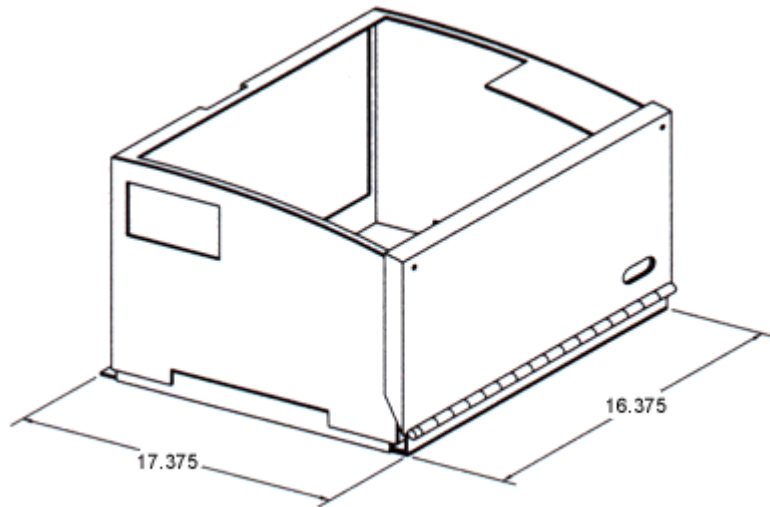
- Specially designed to mount standard Laser Printer
- Material: Aluminum QQ-A-200, ASTM B209
- Primed/painted catalyzed enamel finish, FED STD 595, color 26307
- Other colors and sizes available, just call!
- Shipping Weight 18 lbs

© VT Milcom
Manufacturing Division
"Precision Craftsmanship Since 1981"

901 Professional Place
Chesapeake VA 23320
Phone: (757) 547-0202
Fax: (757) 548-2117

[Back to top](#)

Manufacturing Product Catalog



RUGGEDIZED PRINTER MOUNT, LJ5 MPN 820-8300-5-1

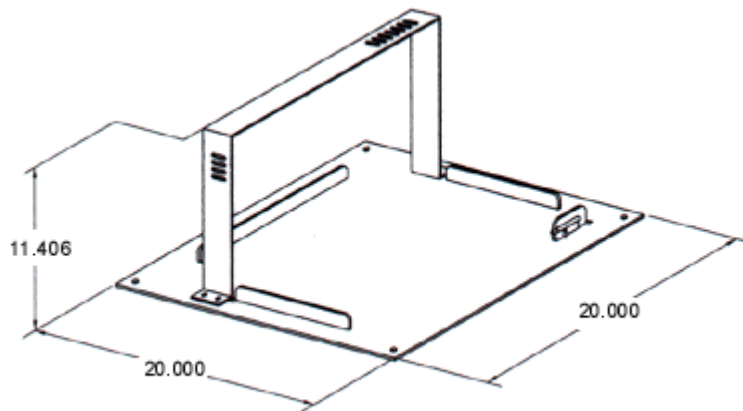
- Material: Aluminum 5052-H32, ASTM B209
- Designed to hold standard Laser Printer
- Table top or rack mounting designs available
- Primed/painted catalyzed enamel finish, FED STD 595, color 26307 gray
- Shipping Weight 9 lbs

© VT Milcom
Manufacturing Division
"Precision Craftsmanship Since 1981"

901 Professional Place
Chesapeake VA 23320
Phone: (757) 547-0202
Fax: (757) 548-2117

[Back to top](#)

Manufacturing Product Catalog



HOLD DOWN ASSEMBLY, LJ 5M MPN 820-8300-5-2S

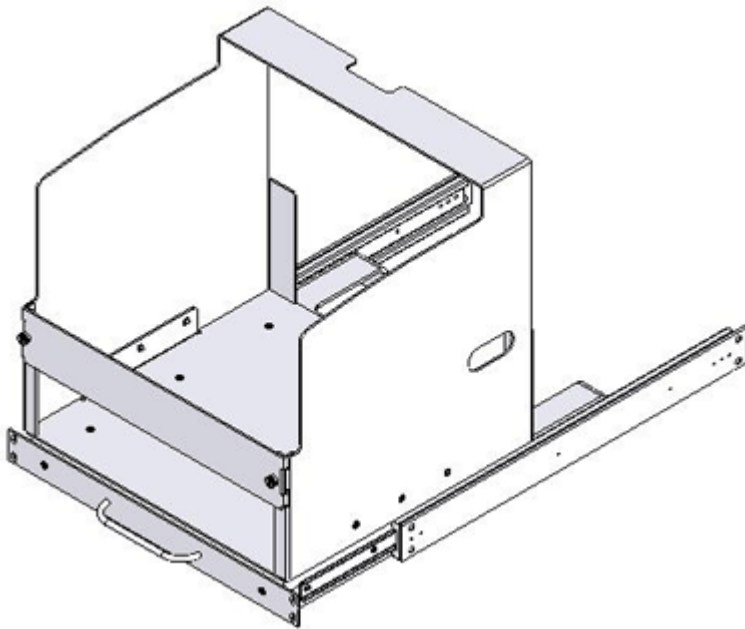
- Material: Aluminum 5052-H32, ASTM B209
- Designed to hold standard Laser Printer
- Table top or rack mounting designs available
- Primed/painted catalyzed enamel finish, FED STD 595, color 26307 gray
- Shipping Weight 9 lbs

© VT Milcom
Manufacturing Division
"Precision Craftsmanship Since 1981"

901 Professional Place
Chesapeake VA 23320
Phone: (757) 547-0202
Fax: (757) 548-2117

[Back to top](#)

Manufacturing Product Catalog



RUGGEDIZED PRINTER MOUNT, HP LASERJET 2430tn FOR A & J RACK ASSEMBLY ** MPN 820-8300-6-1

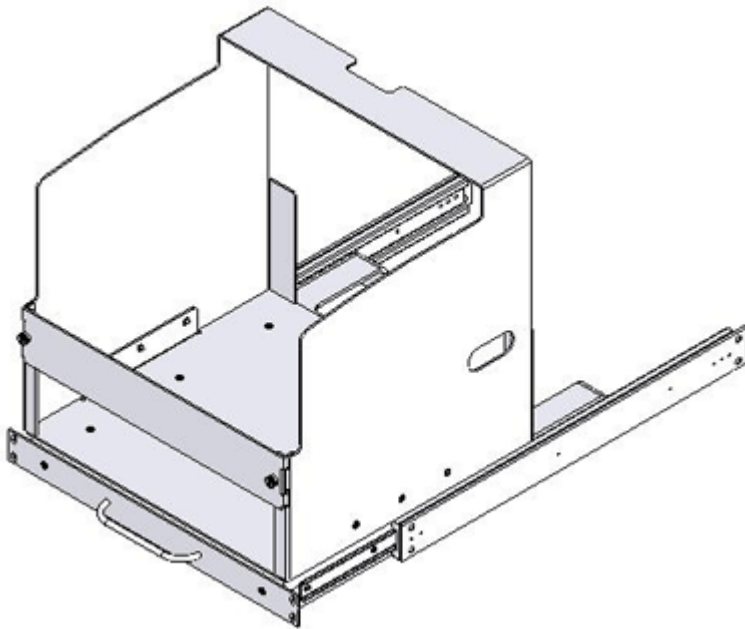
- Specially designed to mount standard laser printer
- Utilizes 11 rack units
- Material: Aluminum QQ-A-200, ASTM B209
- Primed/painted catalyzed enamel finish, FED STD 595, color 26307
- Other colors and sizes available, just call!!
- Shipping weight 33lbs.
- ** Capable of being outfitted to work with most rack assemblies

© VT Milcom
Manufacturing Division
"Precision Craftsmanship Since 1981"

901 Professional Place
Chesapeake VA 23320
Phone: (757) 547-0202
Fax: (757) 548-2117

[Back to top](#)

Manufacturing Product Catalog



RUGGEDIZED PRINTER MOUNT, HP LASERJET 2430tn FOR TAC-4 RACK ASSEMBLY ** MPN 820-8300-6-2

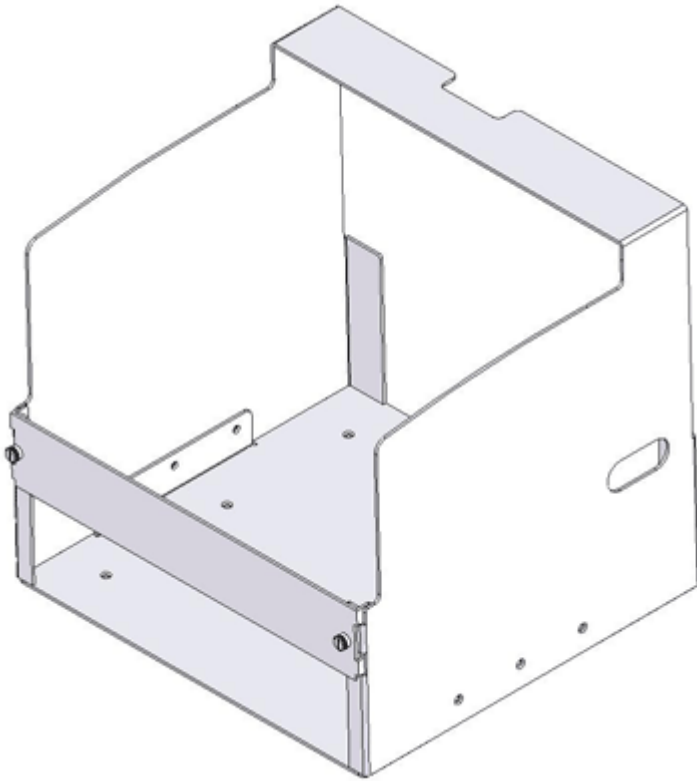
- Specially designed to mount standard laser printer
- Utilizes 11 rack units
- Material: Aluminum QQ-A-200, ASTM B209
- Primed/painted catalyzed enamel finish, FED STD 595, color 26307
- Other colors and sizes available, just call!!
- Shipping weight 33lbs.
- ** Capable of being outfitted to work with most rack assemblies

© VT Milcom
Manufacturing Division
"Precision Craftsmanship Since 1981"

901 Professional Place
Chesapeake VA 23320
Phone: (757) 547-0202
Fax: (757) 548-2117

[Back to top](#)

Manufacturing Product Catalog



RUGGEDIZED PRINTER MOUNT, HP LASERJET 2430tn MPN 820-8300-6-3

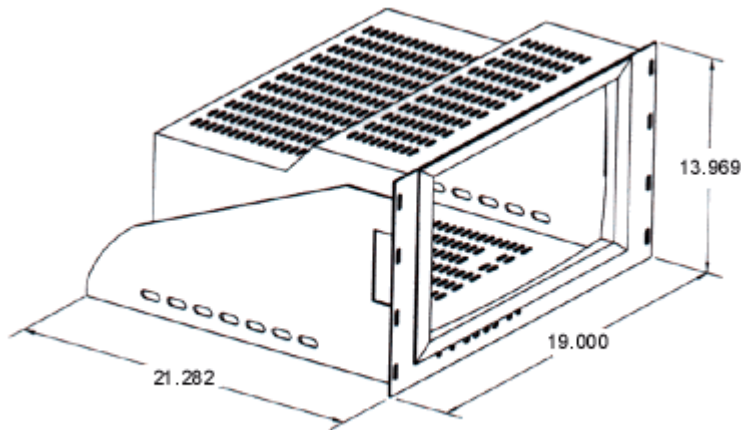
- Specially designed to mount standard laser printer
- Material: Aluminum QQ-A-200, ASTM B209
- Primed/painted catalyzed enamel finish, FED STD 595, color 26307
- Other colors and sizes available, just call!!
- Shipping weight 12lbs.

© VT Milcom
Manufacturing Division
"Precision Craftsmanship Since 1981"

901 Professional Place
Chesapeake VA 23320
Phone: (757) 547-0202
Fax: (757) 548-2117

[Back to top](#)

Manufacturing Product Catalog



ENCLOSURE, MONITOR, RUGGEDIZED RACK MOUNTED MPN 820-8400-1-19

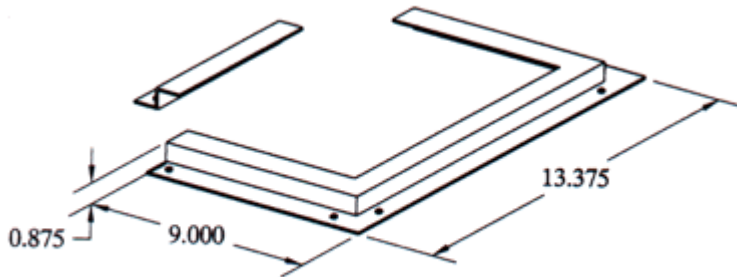
- Ideal for Standard 19" Equipment Rack
- Material: Aluminum 5052-H32, ASTM B209
- Designed to enclose a 17" Monitor
- Faceplate is primed/painted catalyzed enamel finish, FED STD 595, color 26307, gray
- Silk-screened monitor control labels
- Shipping Weight 15 lbs

© VT Milcom
Manufacturing Division
"Precision Craftsmanship Since 1981"

901 Professional Place
Chesapeake VA 23320
Phone: (757) 547-0202
Fax: (757) 548-2117

[Back to top](#)

Manufacturing Product Catalog



BRACKET, MONITOR MPN 820-8400-2-1

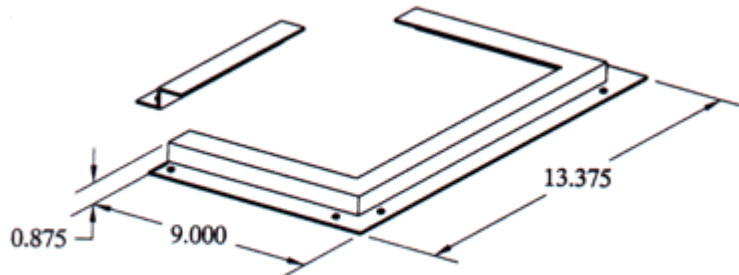
- Material: 0.125" Aluminum 5052-H32, ASTM B209
- Designed as a holding fixture for square base monitor
- Primed/painted catalyzed enamel finish, FED STD 595, color 26307, gray
- Shipping Weight 3 lbs

© VT Milcom
Manufacturing Division
"Precision Craftsmanship Since 1981"

901 Professional Place
Chesapeake VA 23320
Phone: (757) 547-0202
Fax: (757) 548-2117

[Back to top](#)

Manufacturing Product Catalog



BRACKET, CPU/MONITOR MPN 820-8500-1-22

- Material: 0.125" A-35 steel
- Ideal for a 17" Monitor & Desktop CPU
- Primer finish, painted upon request
- Kit packaged for your convenience
- Shipping Weight 22 lbs

© VT Milcom
Manufacturing Division
"Precision Craftsmanship Since 1981"

901 Professional Place
Chesapeake VA 23320
Phone: (757) 547-0202
Fax: (757) 548-2117

[Back to top](#)